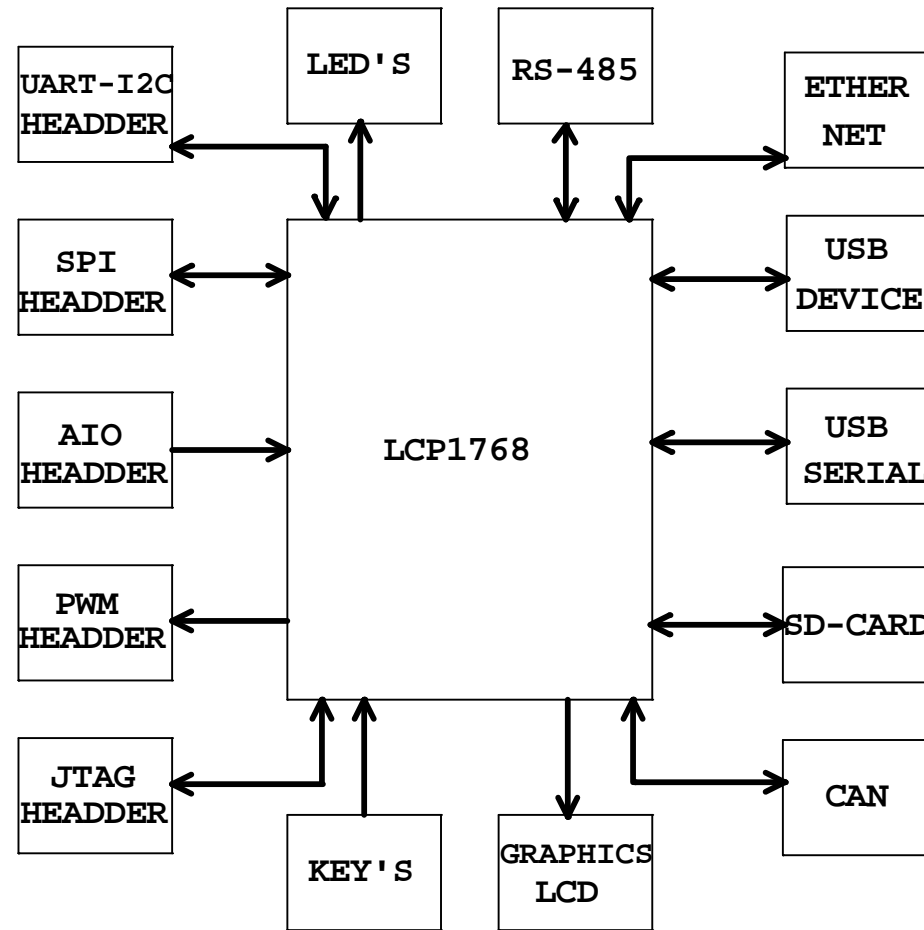
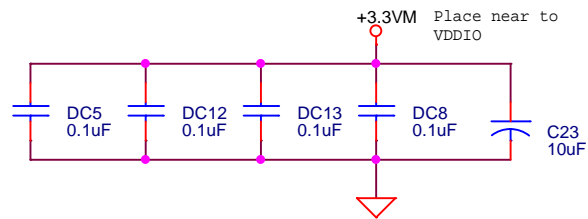
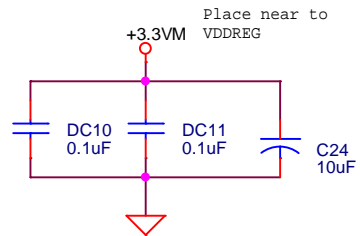
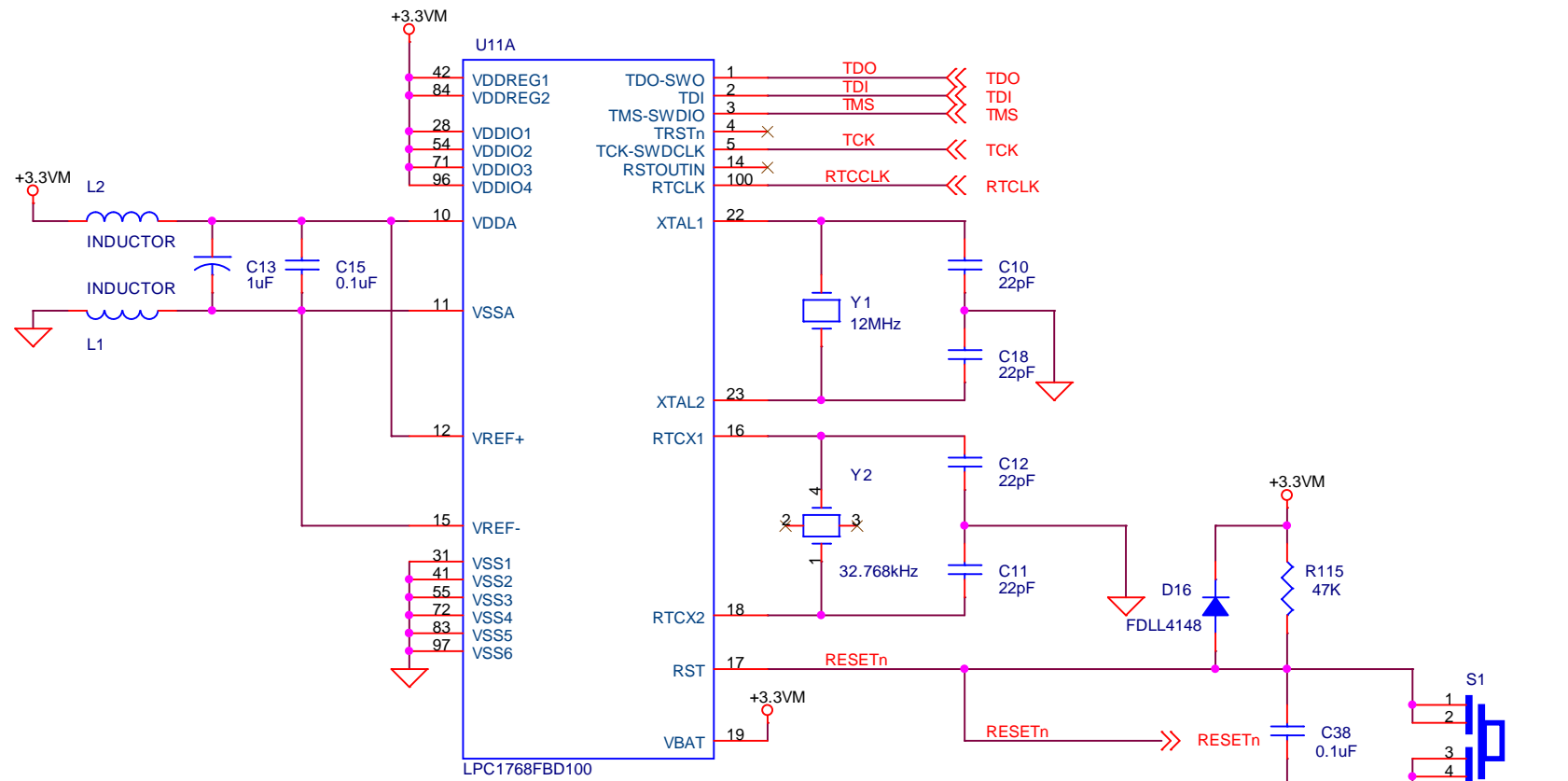


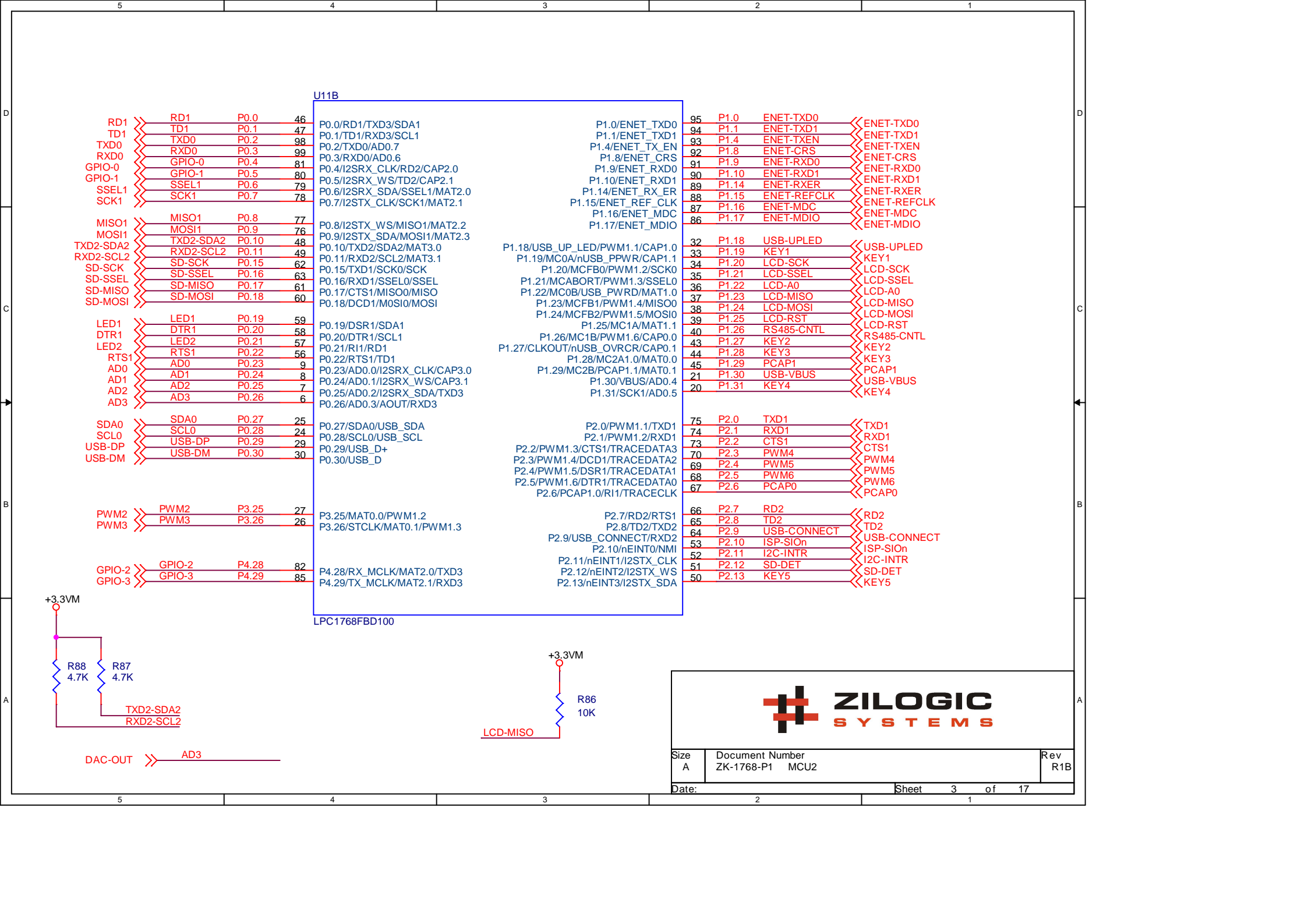
# ZK-1768-P1 SCHEMATIC

PAGE NO	CONTENTS
1	BLOCK DIAGRAM
2	MCU1
3	MCU2
4	USB DEVICE
5	USB TO SERIAL
6	ISP
7	ETHERNET CON
8	ETHERNET PHY
9	SD - CARD
10	CAN
11	RS - 485
12	LCD
13	LED'S & KEY'S
14	CON1
15	CON2
16	JTAG
17	PSU



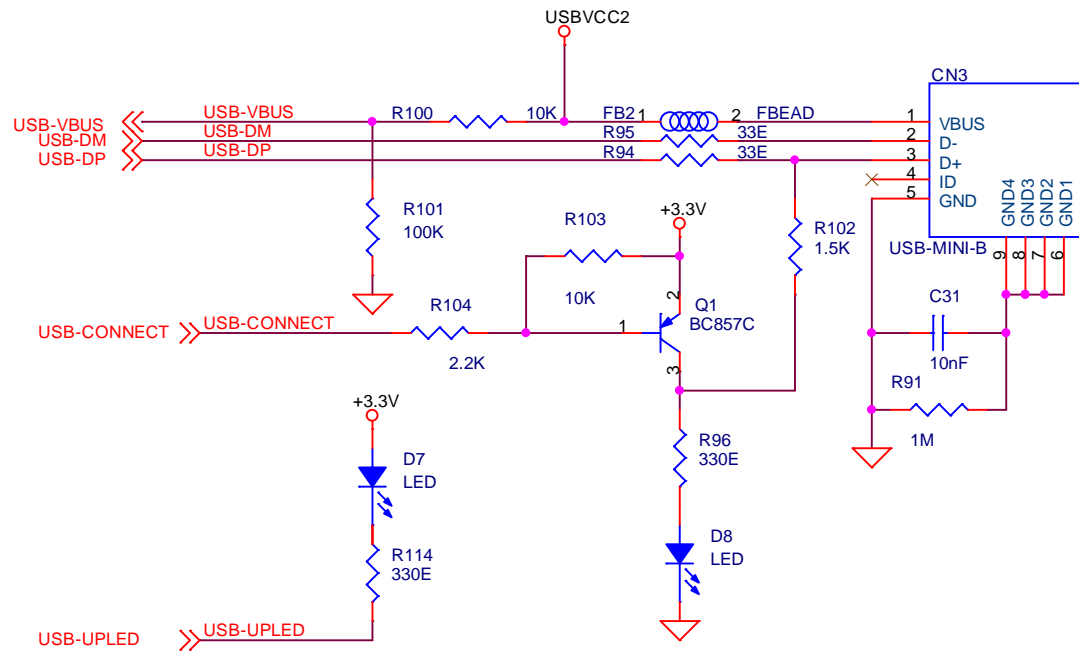


Size A	Document Number ZK-1768-P1 MCU1	Rev R1B
Date:		Sheet 2 of 17

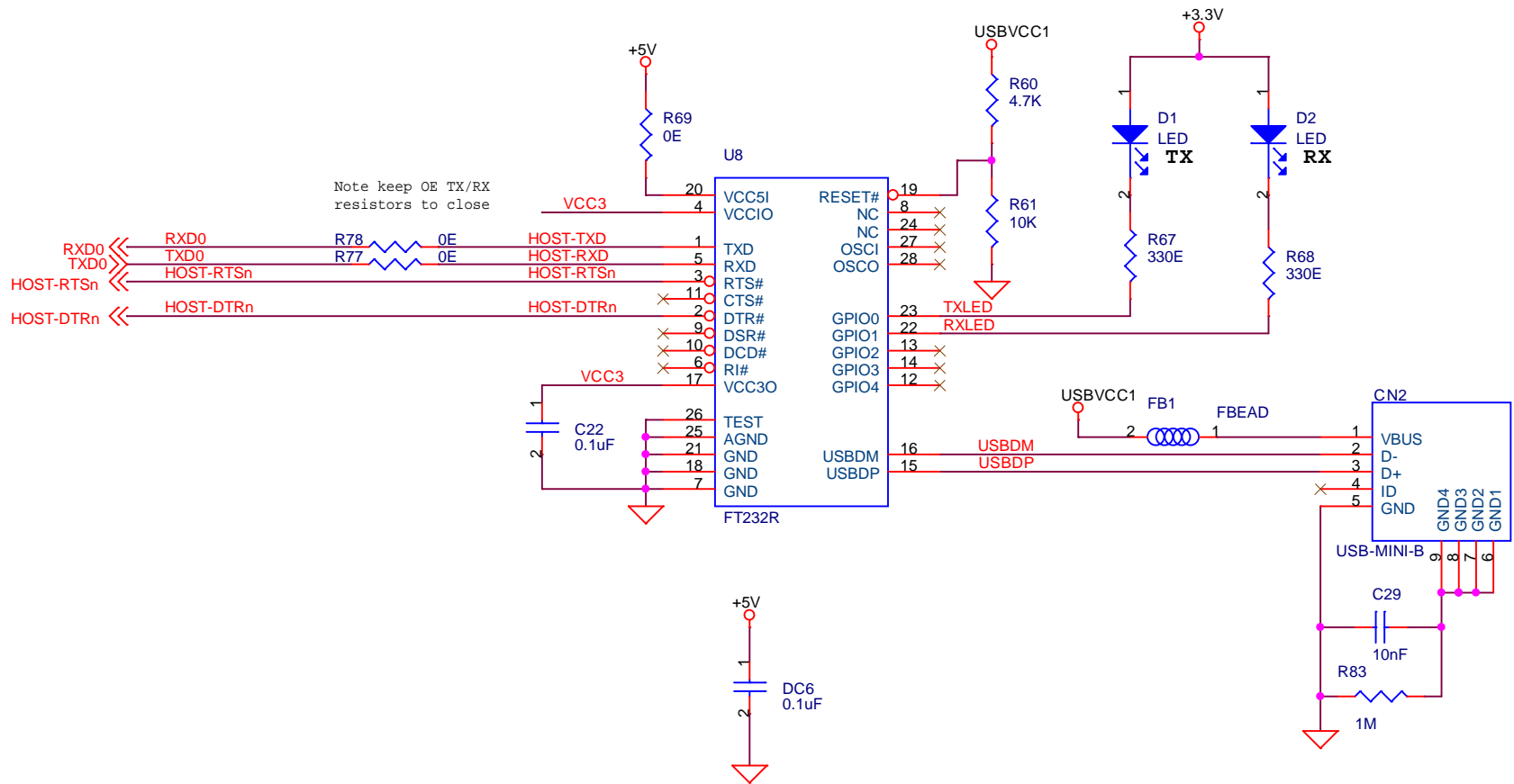


**ZILOGIC SYSTEMS**

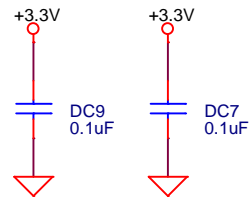
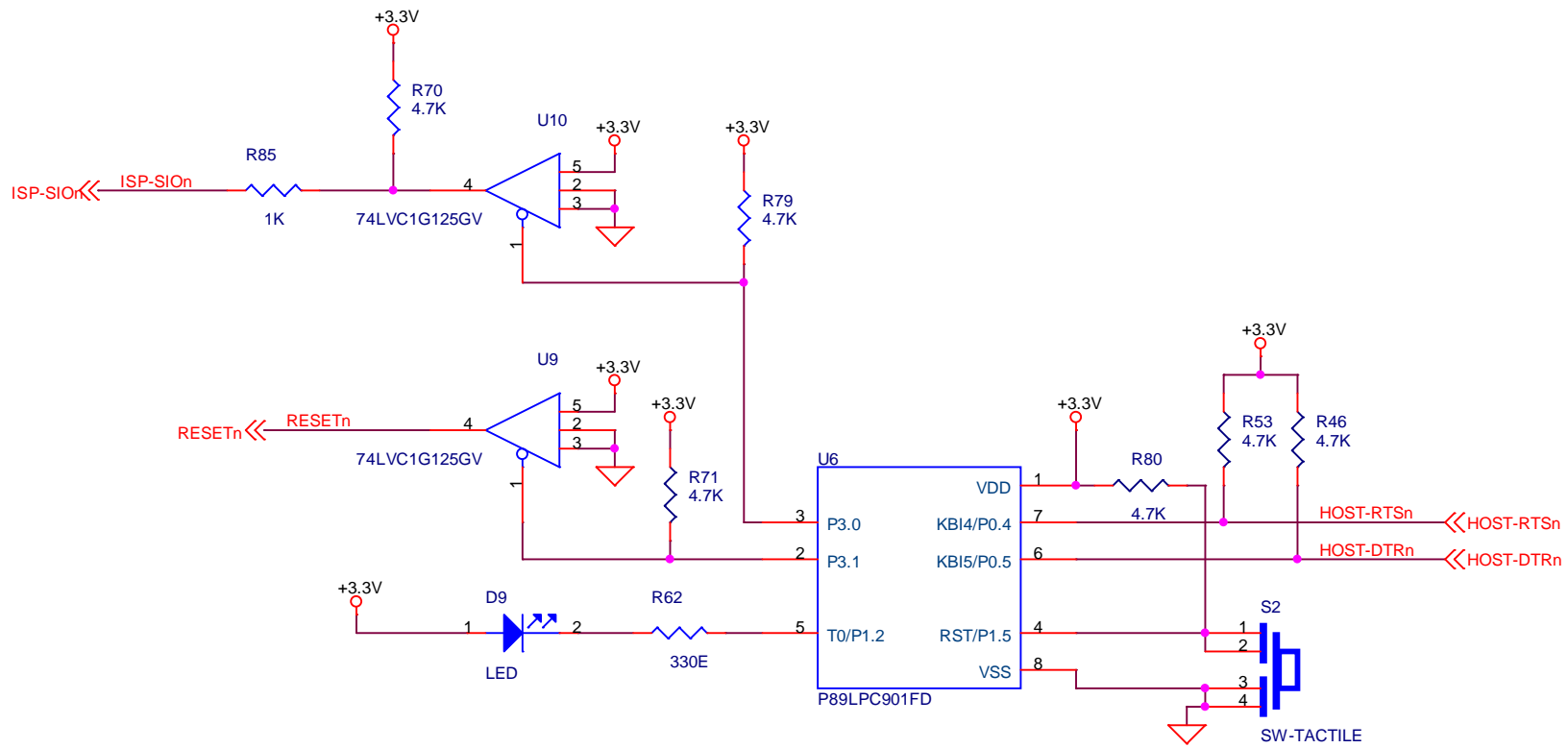
Size A	Document Number ZK-1768-P1 MCU2	Rev R1B
Date:		Sheet 3 of 17



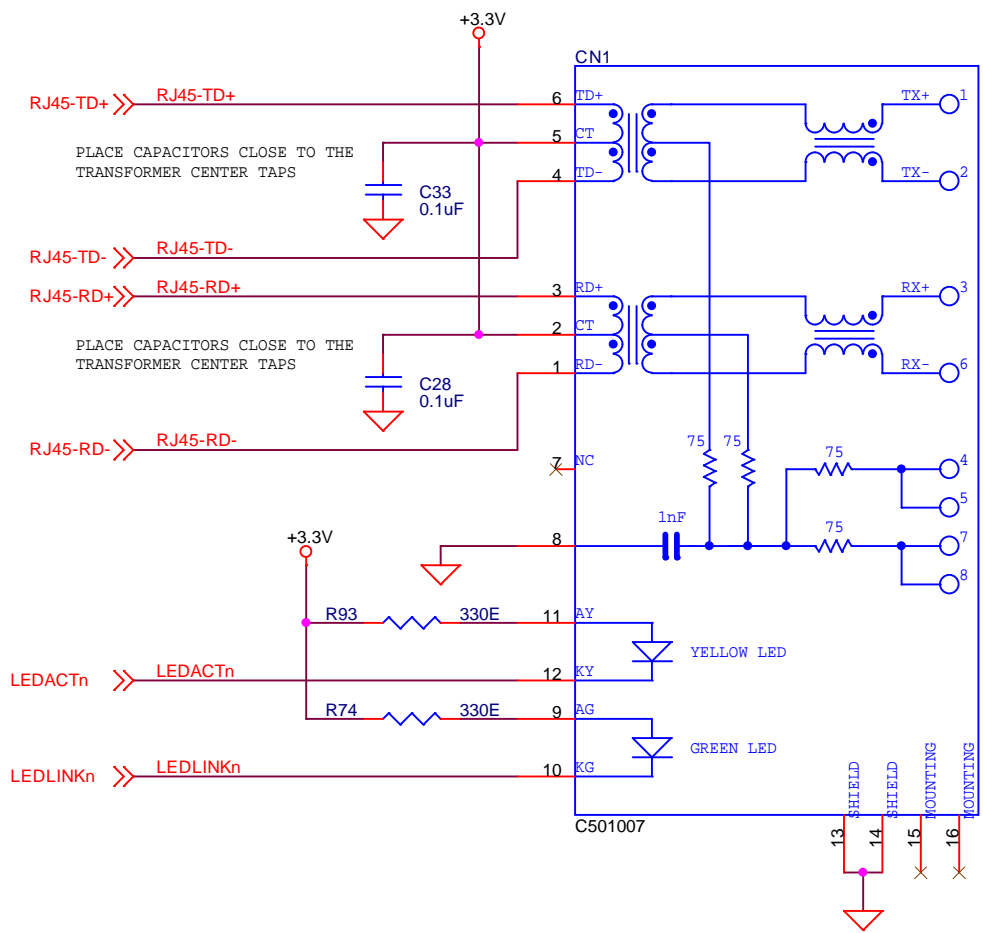
Size A	Document Number ZK-1768-P1 USB - DEVICE	Rev R1B
Date:		Sheet 4 of 17



Size A	Document Number ZK-1768-P1 USB - SERIAL	Rev R1B
Date:		Sheet 5 of 17




Size A	Document Number ZK-1768-P1 ISP	Rev R1B
Date:		Sheet 6 of 17

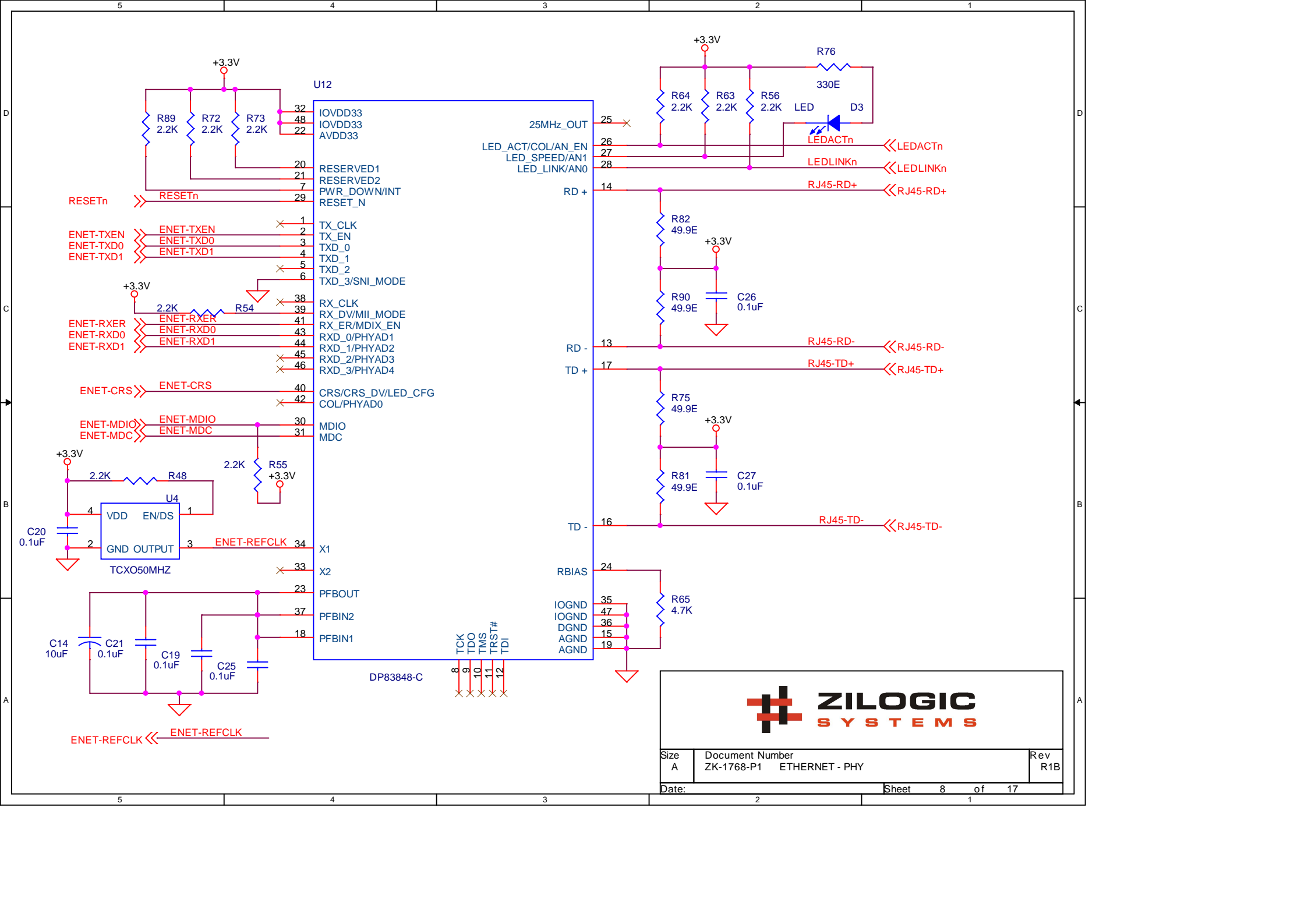



PLACE CAPACITORS CLOSE TO THE TRANSFORMER CENTER TAPS

PLACE CAPACITORS CLOSE TO THE TRANSFORMER CENTER TAPS



Size A	Document Number ZK-1768-P1    ETHERNET - CON	Rev R1B
Date:		Sheet 7 of 17

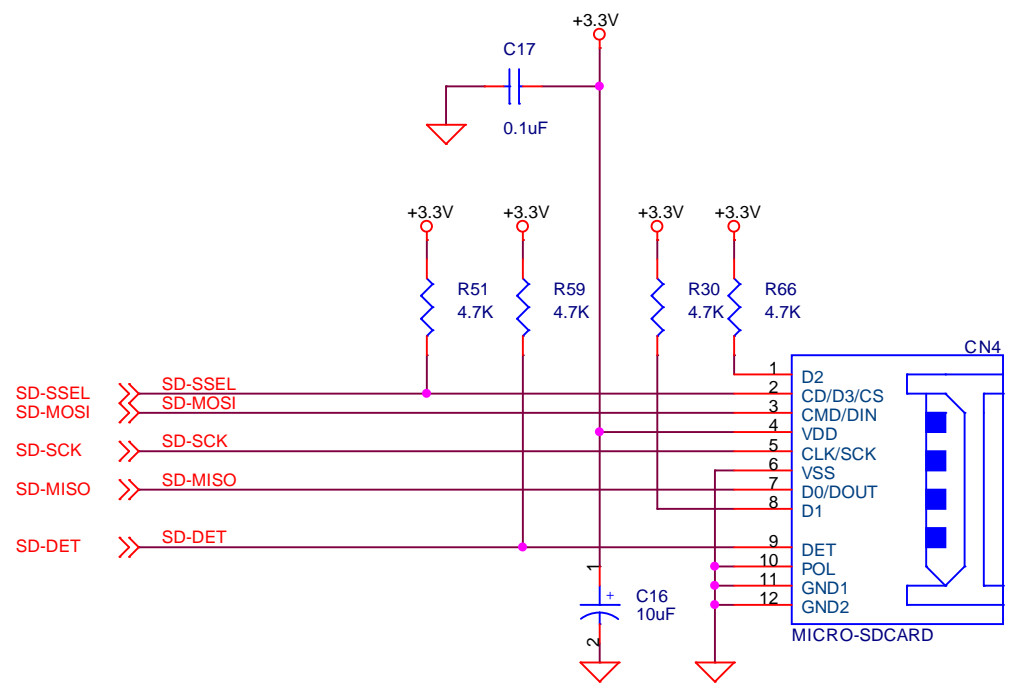




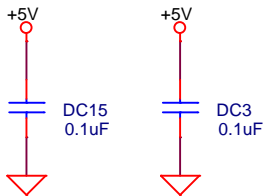
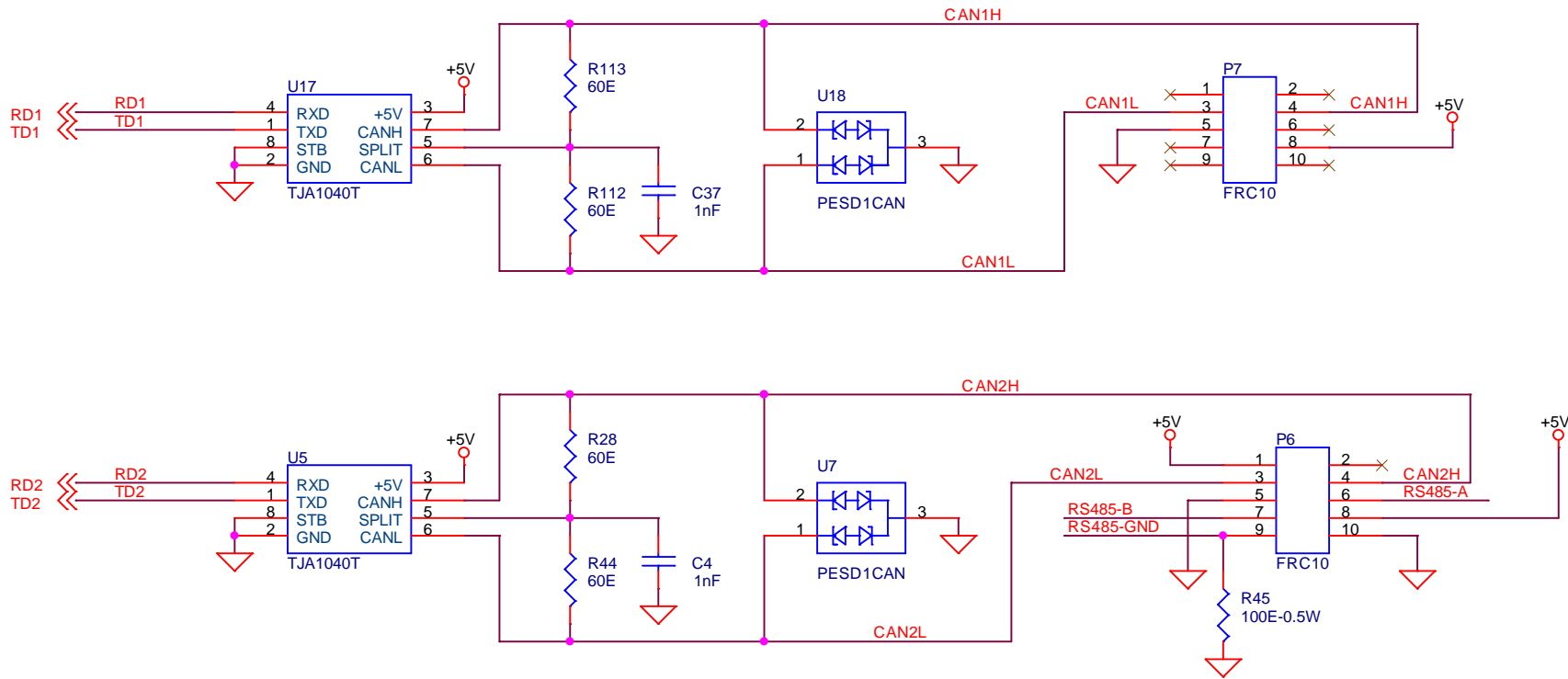
# ZILOGIC SYSTEMS

Size A	Document Number ZK-1768-P1 ETHERNET - PHY	Rev R1B
Date:		Sheet 8 of 17

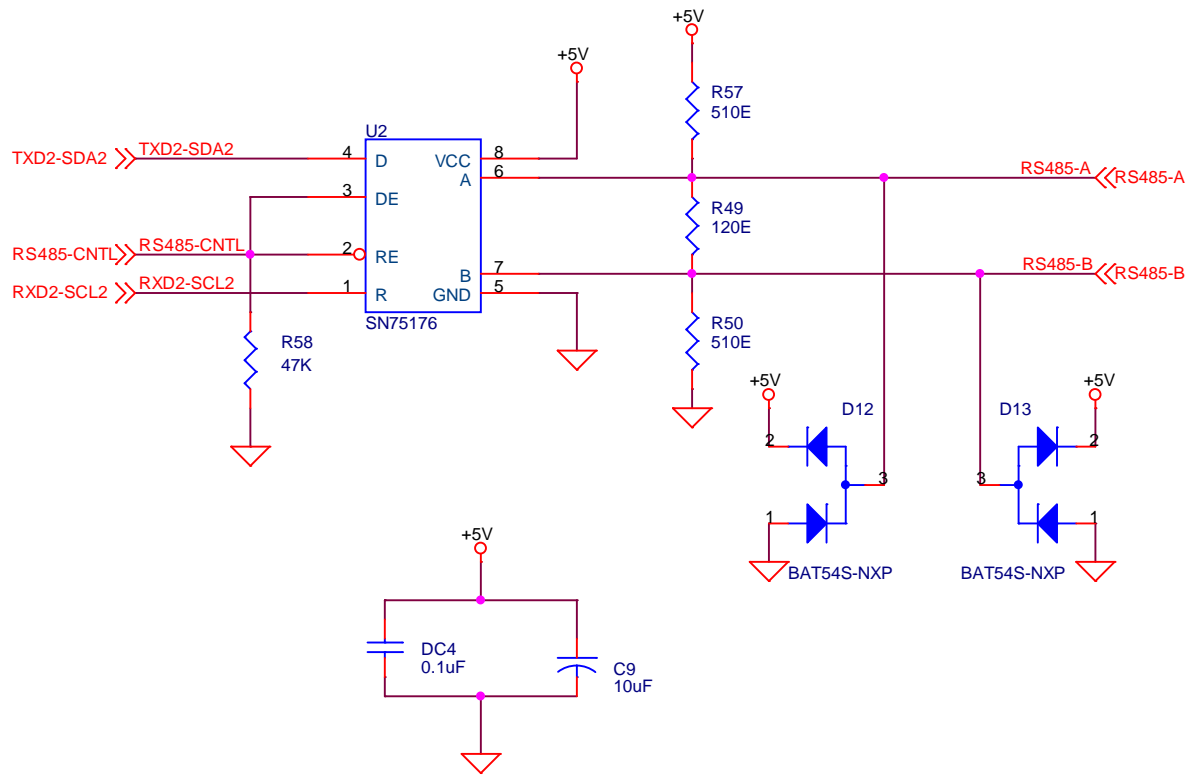




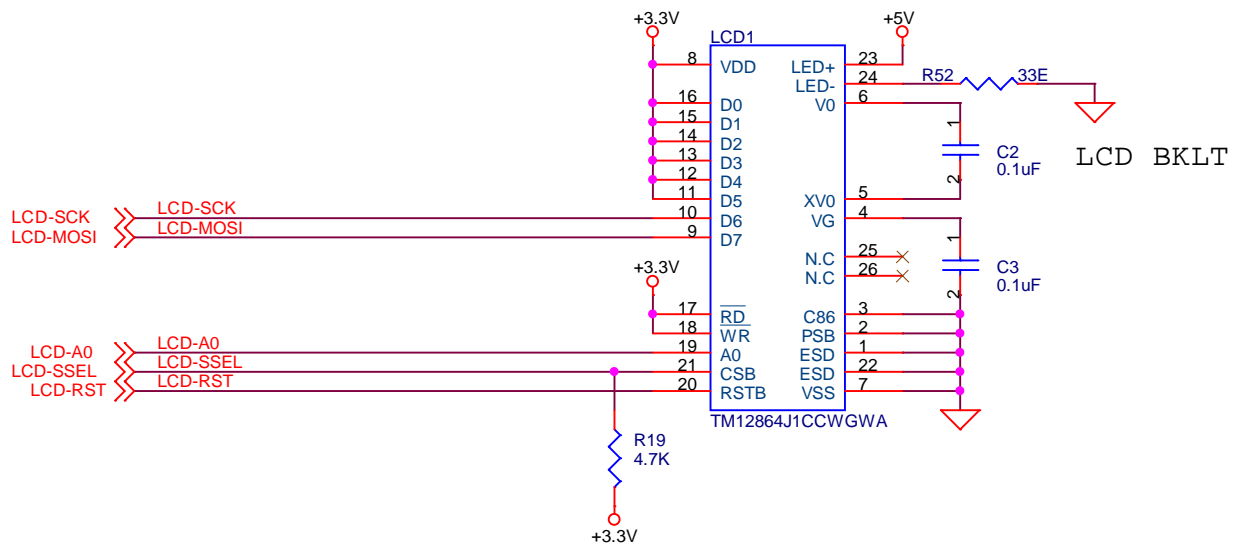
Size A	Document Number ZK-1768-P1 SD - CARD	Rev R1B
Date:		Sheet 9 of 173



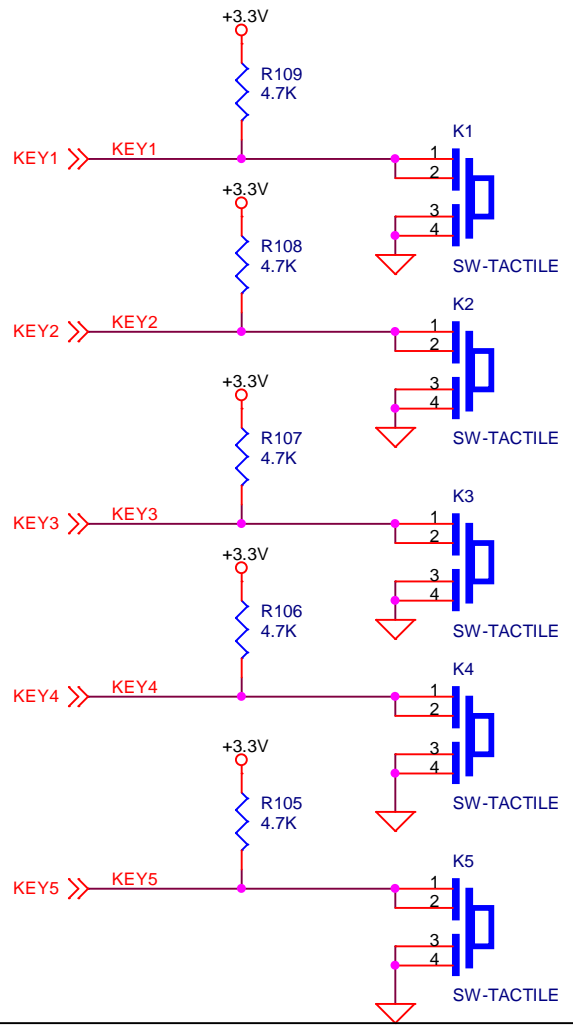
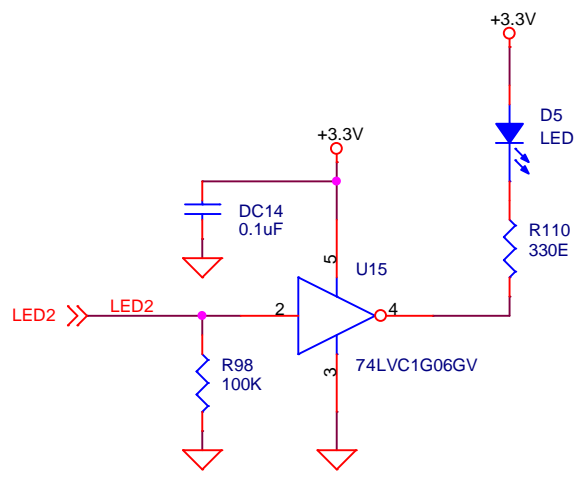
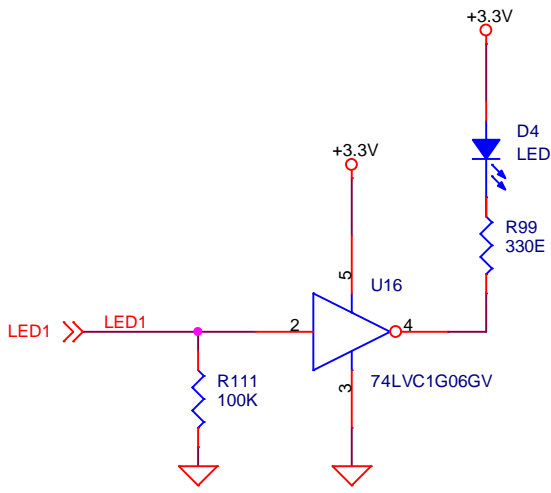
Size A	Document Number ZK-1768-P1 CAN	Rev R1B
Date:	Sheet 10 of 17	



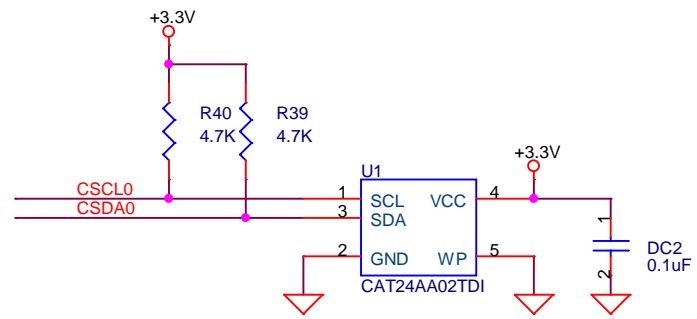
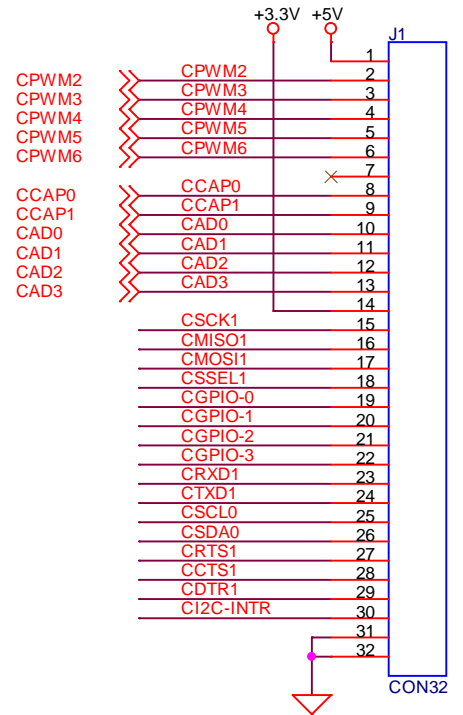
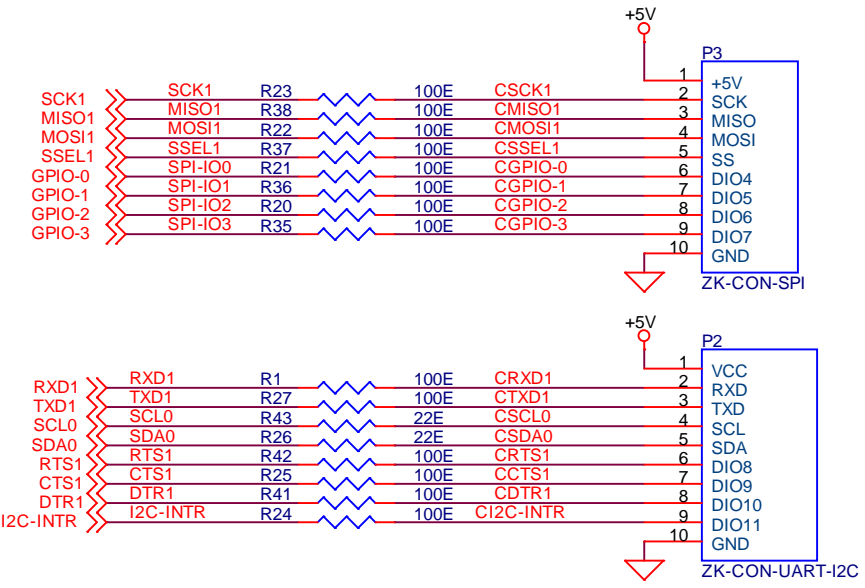
Size A	Document Number ZK-1768-P1 RS-485	Rev R1B
Date:		Sheet 11 of 17



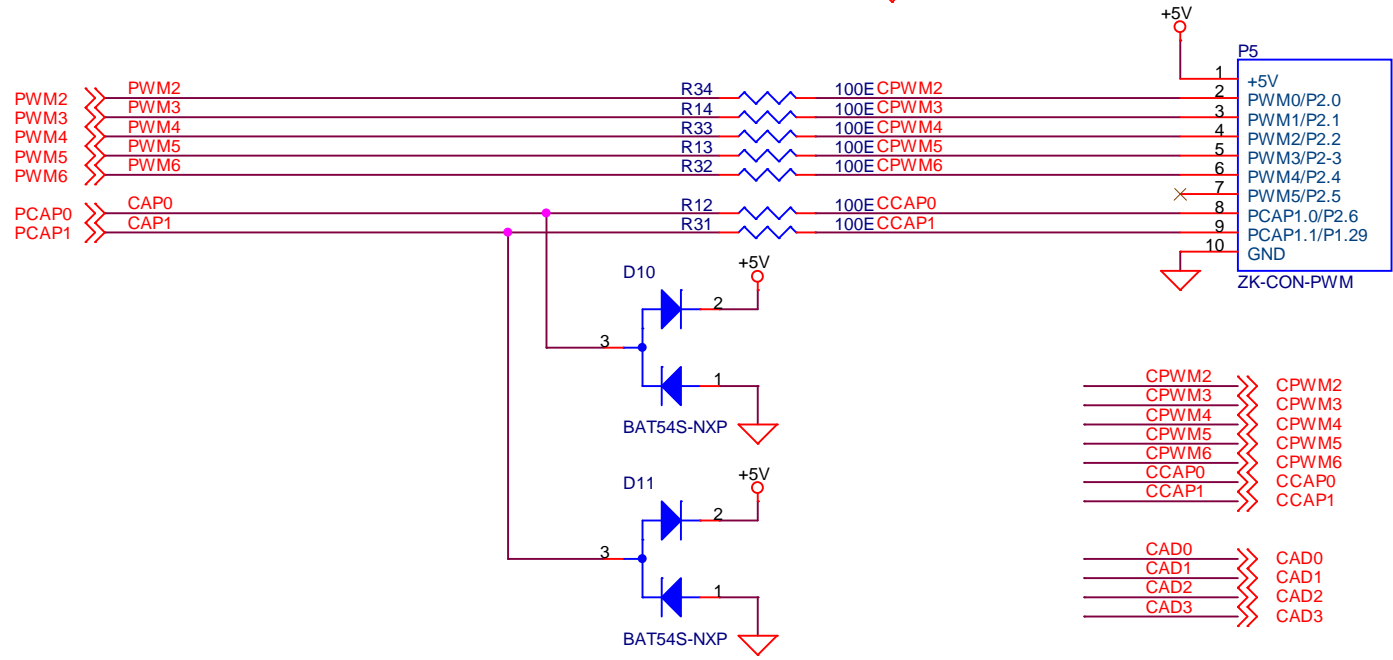
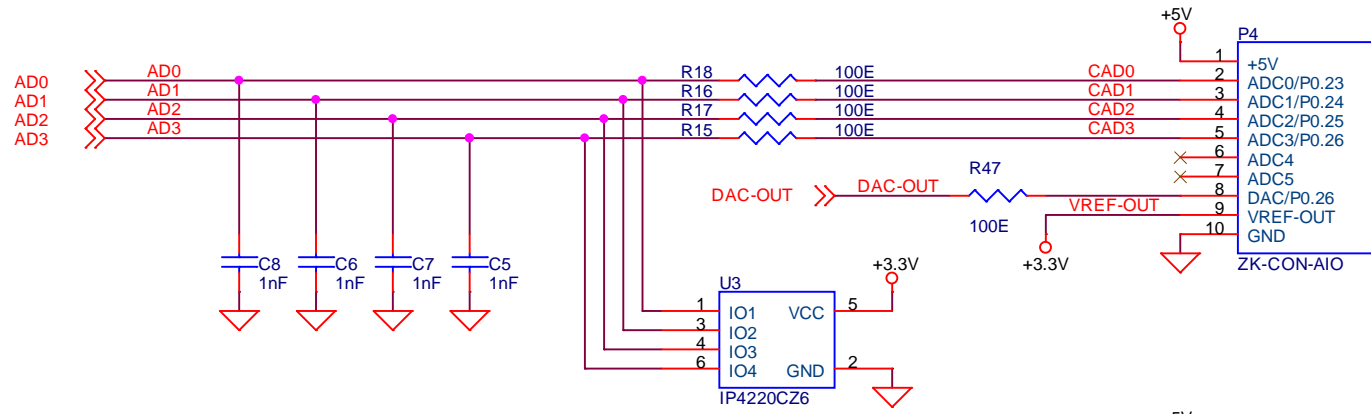
Size A	Document Number ZK-1768-P1 LCD	Rev R1B
Date:		Sheet 12 of 17



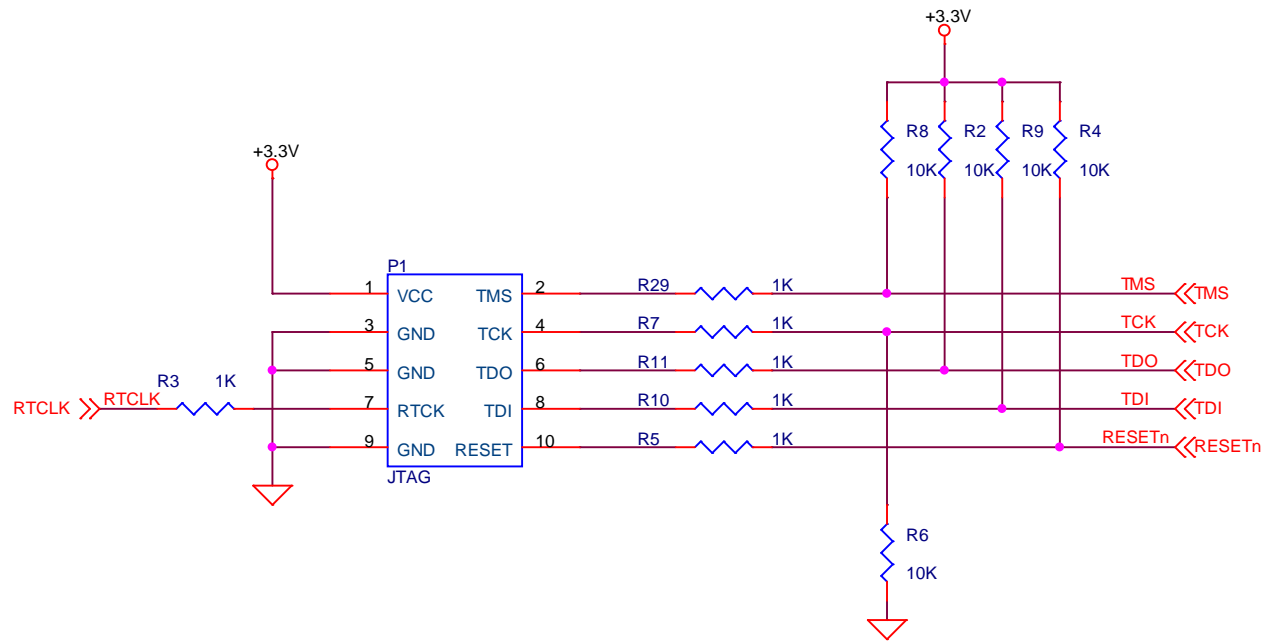
Size A	Document Number ZK-1768-P1 LED'S & KEY'S	Rev R1B
Date:	Sheet 13 of 17	



Size A	Document Number ZK-1768-P1 CON	Rev R1B
Date:		Sheet 14 of 17

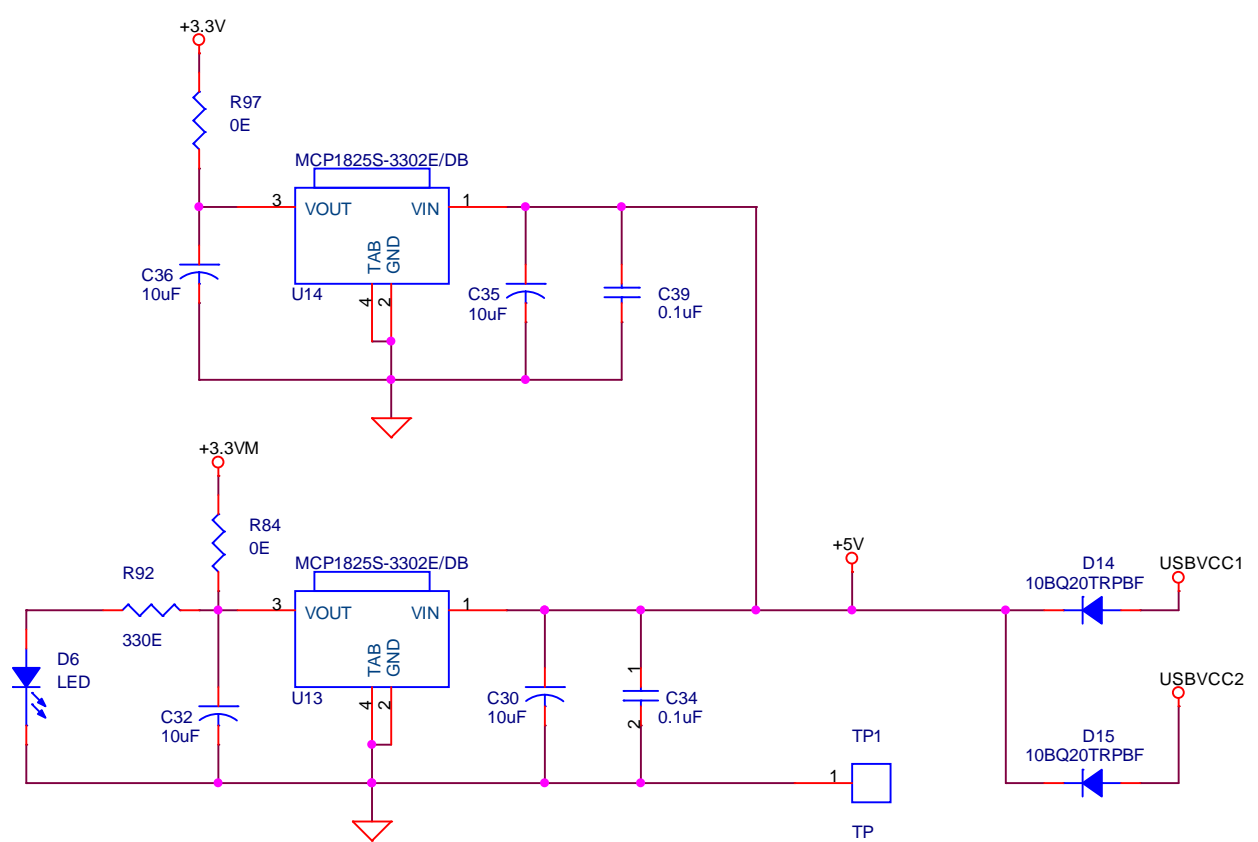


Size A	Document Number ZK-1768-P1 CON	Rev R1B
Date:		Sheet 15 of 17



Size A	Document Number ZK-1768-P1 JTAG	Rev R1B
Date:		Sheet 16 of 17





Size A	Document Number ZK-1768-P1 PSU	Rev R1B
Date:		Sheet 17 of 17