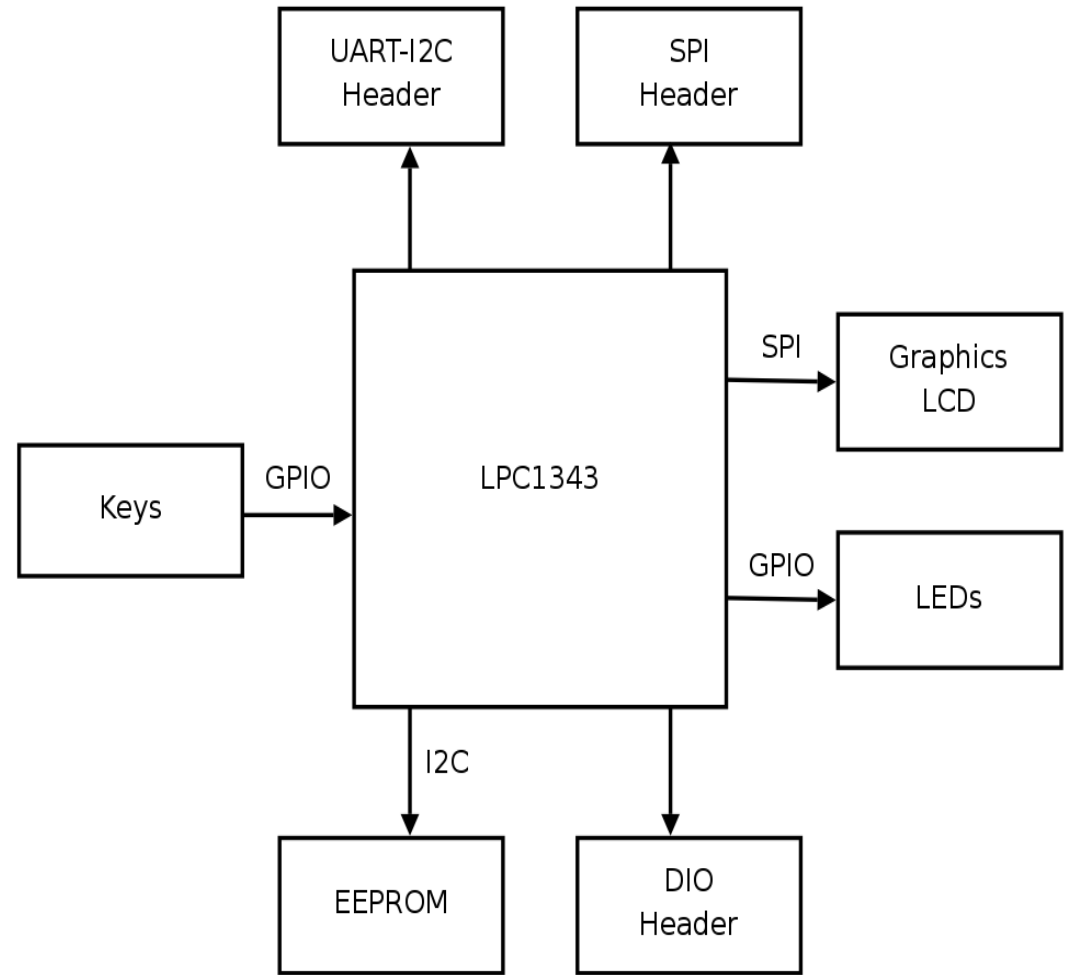
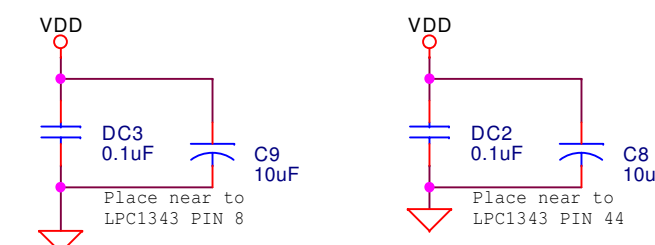
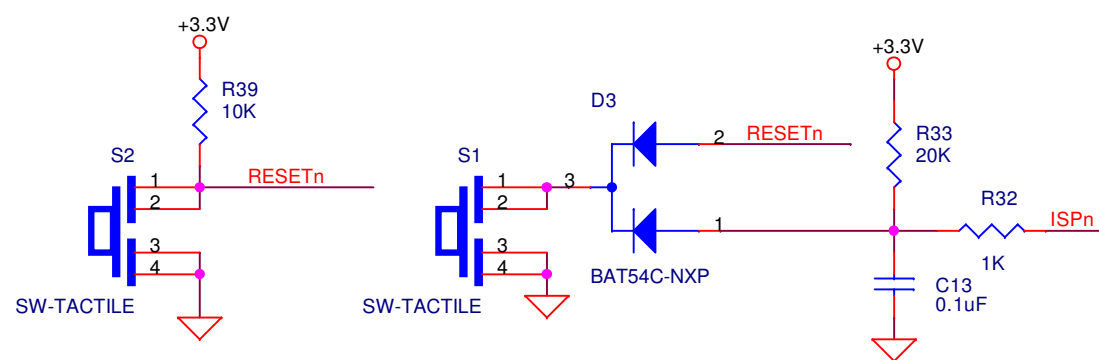
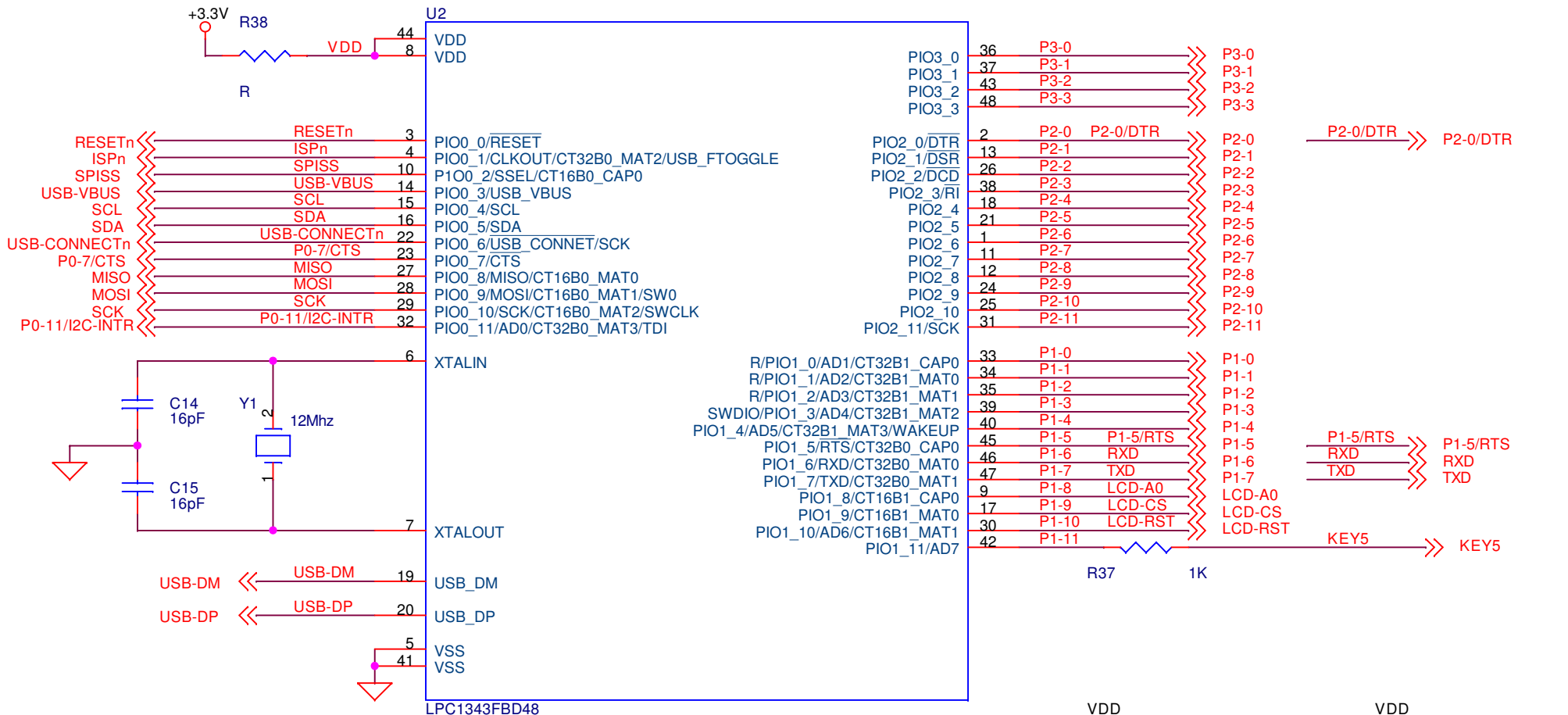


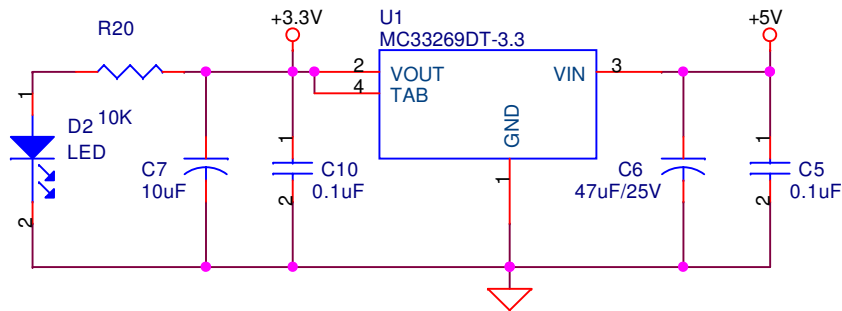
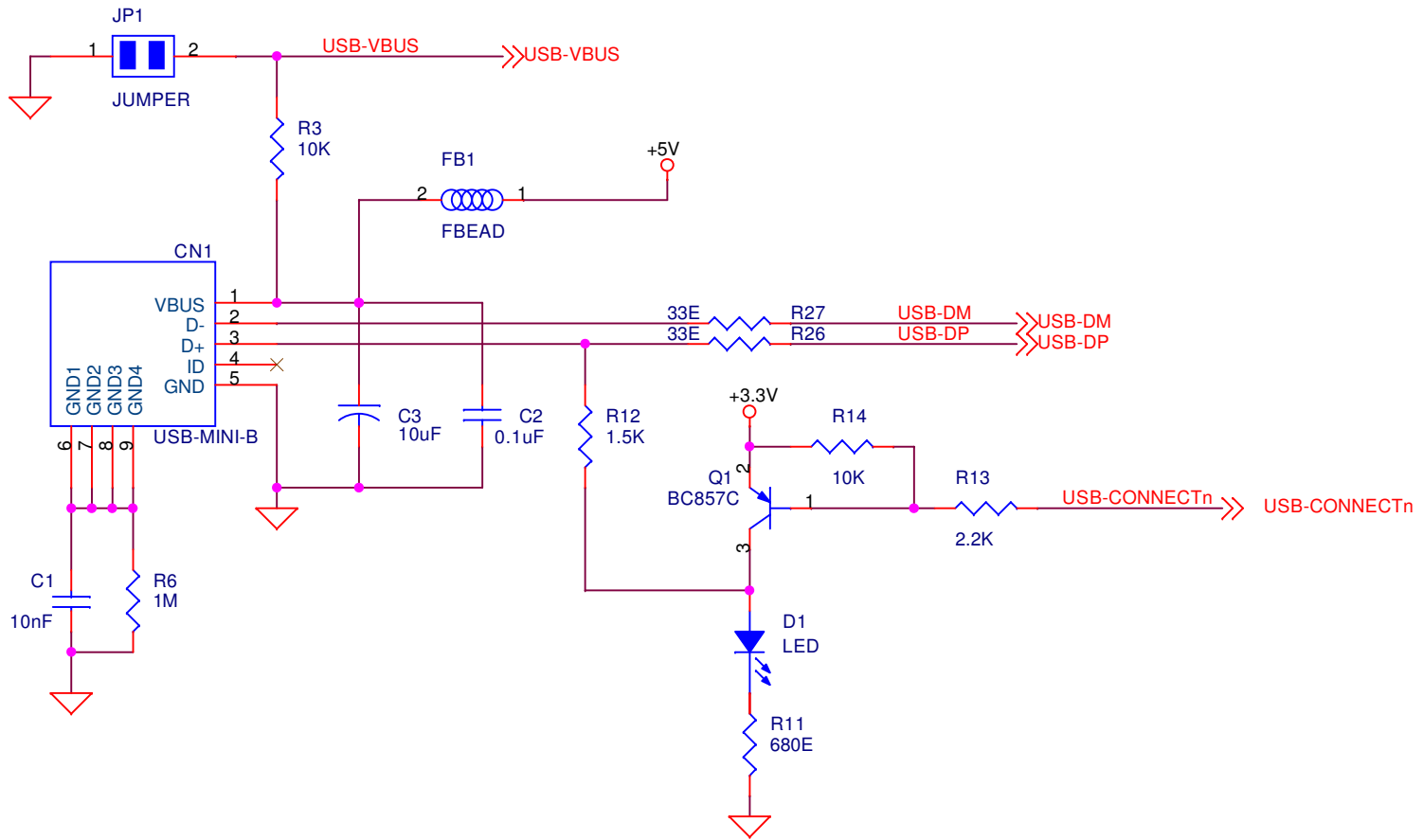
ZKIT-ARM-1343 SCHEMATIC

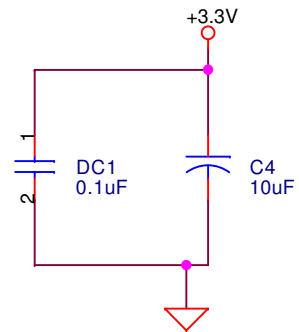
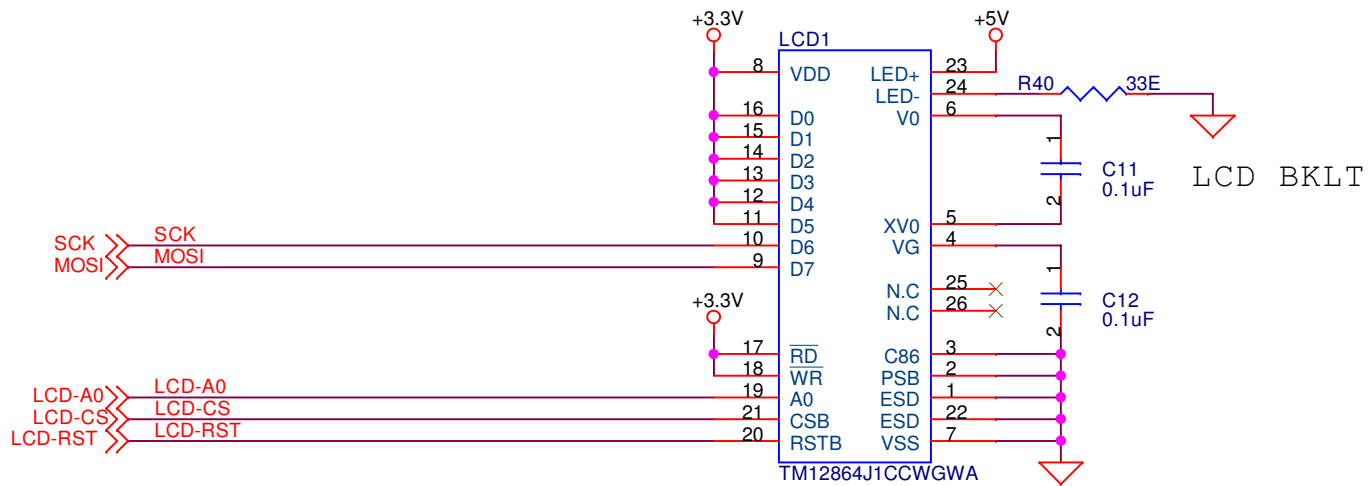
PAGE NO	CONTENTS
1	BLOCK DIAGRAM
2	MCU
3	USB
4	LCD
5	LED, KEYS
6	CONNECTORS



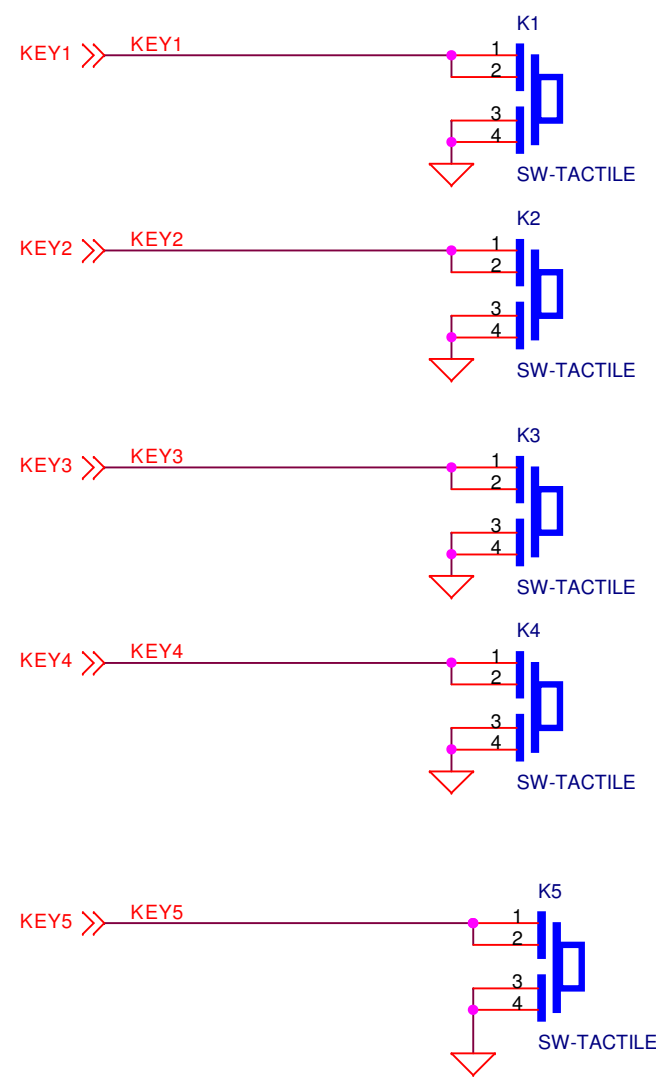
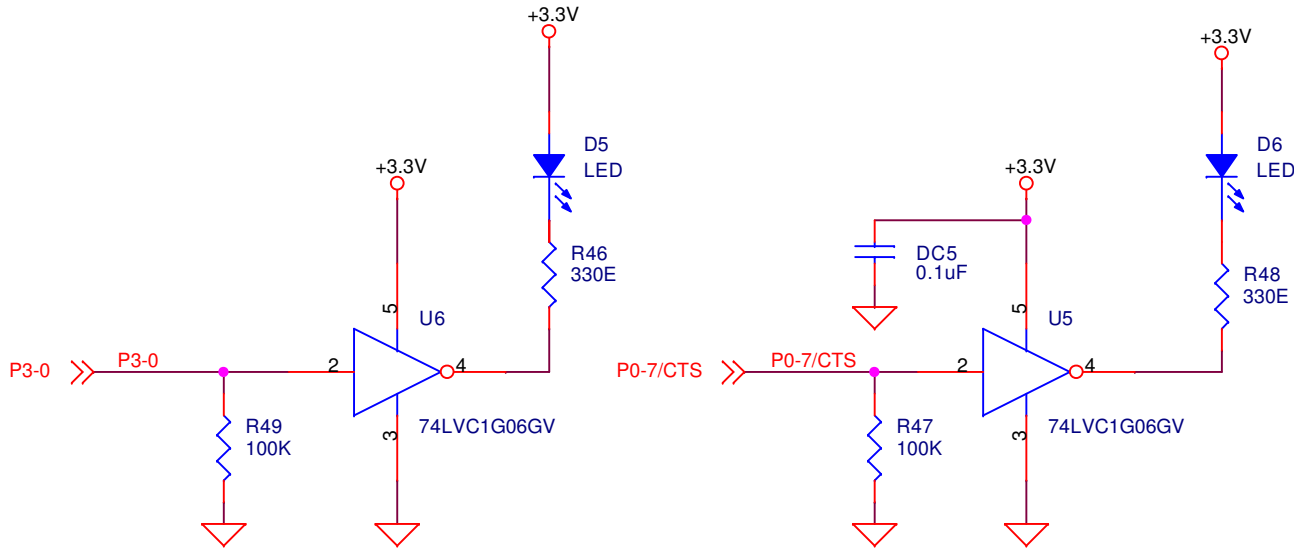


Size A	Document Number ZKIT-ARM-1343 MCU	Rev A
Date: Friday, September 09, 2011	Sheet 2 of 6	





Size A	Document Number ZKIT-ARM-1343 LCD	Rev A
Date:	Friday, September 09, 2011	Sheet 4 of 6



Size A	Document Number ZKIT-ARM-1343 LED, KEYS	Rev A
Date: Friday, September 09, 2011	Sheet 5 of 6	

