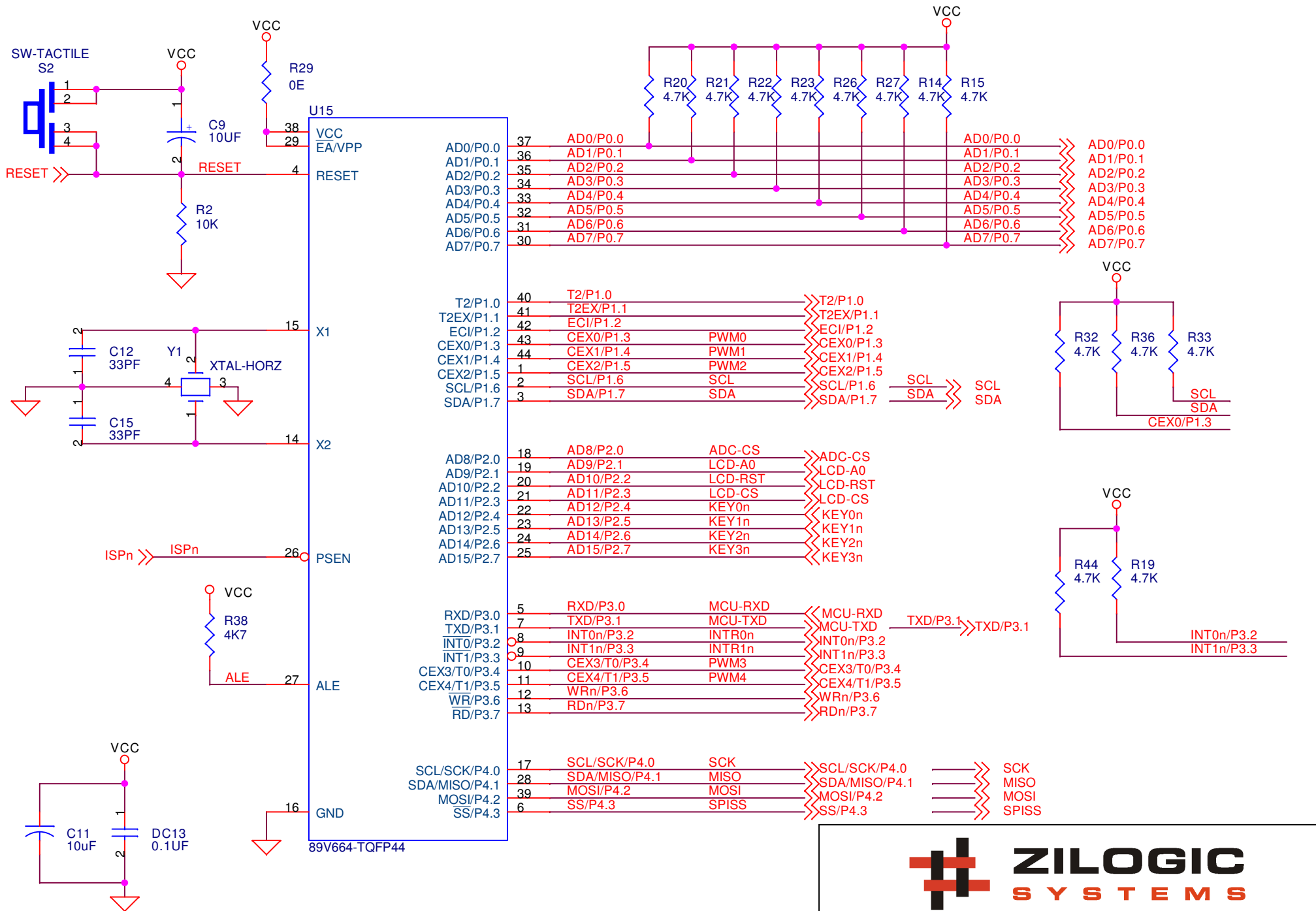
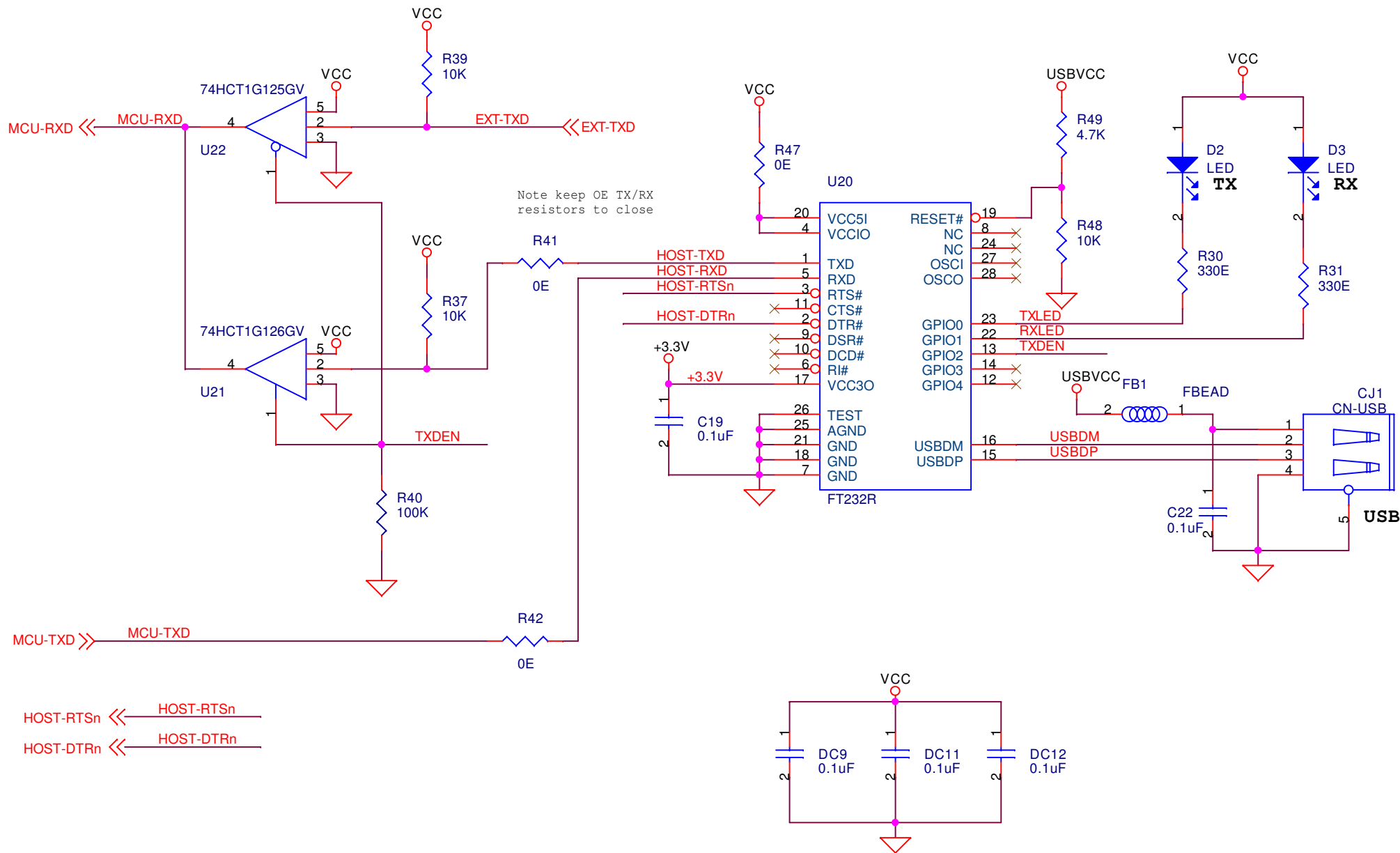


ZKIT-51-V664 SCHEMATIC

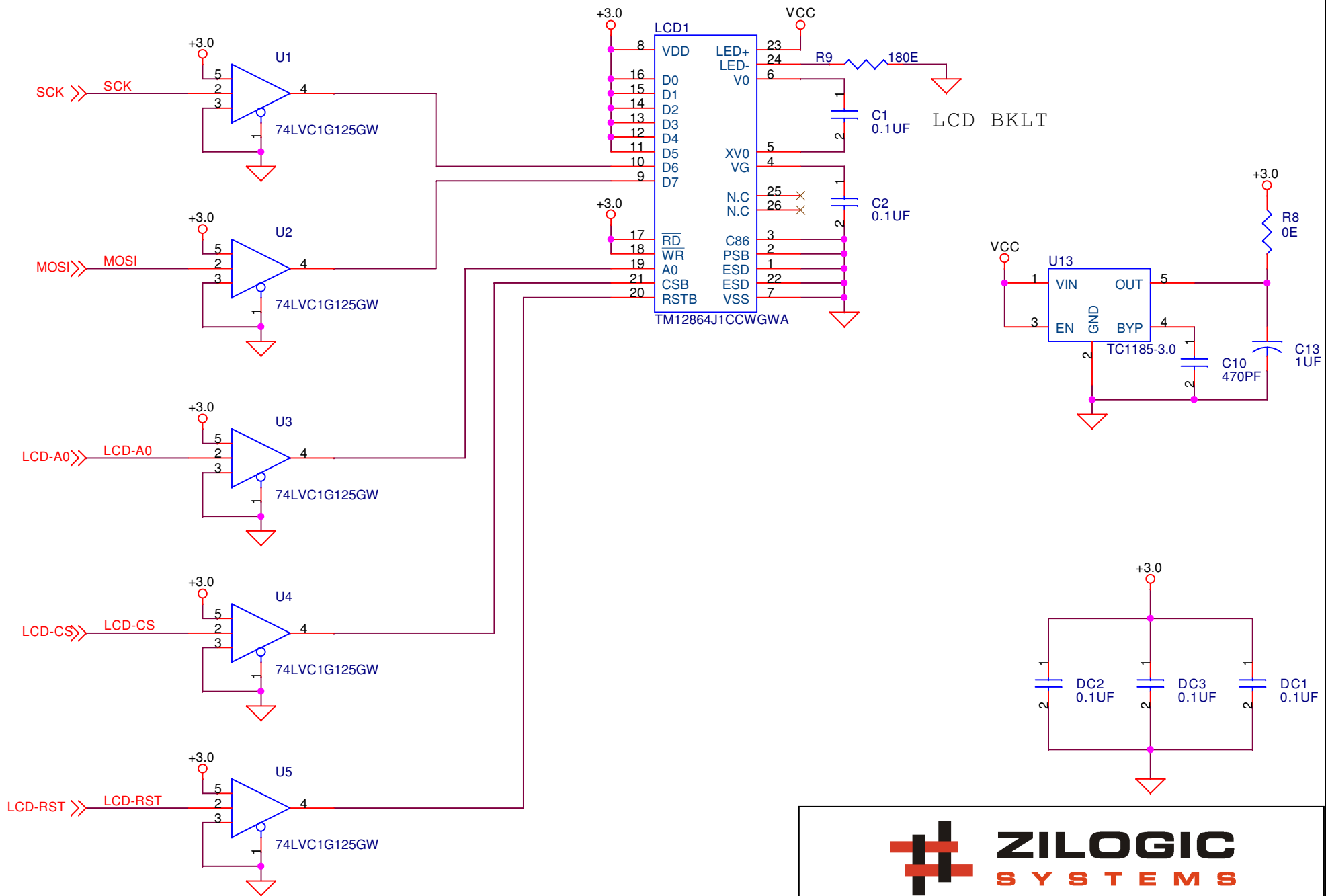
PAGE NO	CONTENTS
1	BLOCK DIAGRAM
2	MCU
3	USB
4	LCD
5	ADC, DAC, EEPROM
6	KEYS
7	ISP
8	PSU
9	CONNECTORS, LEDS, BUZZER



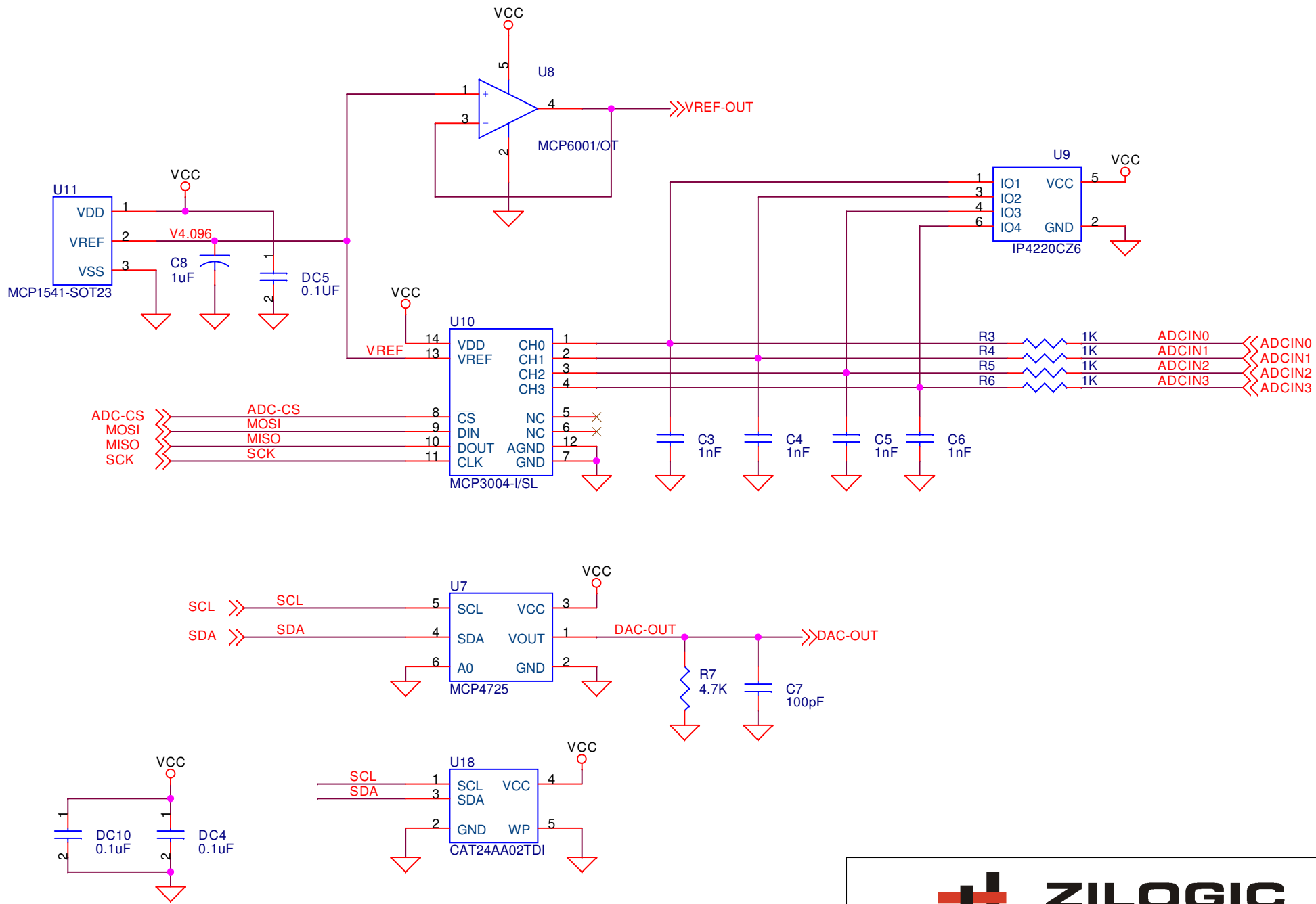


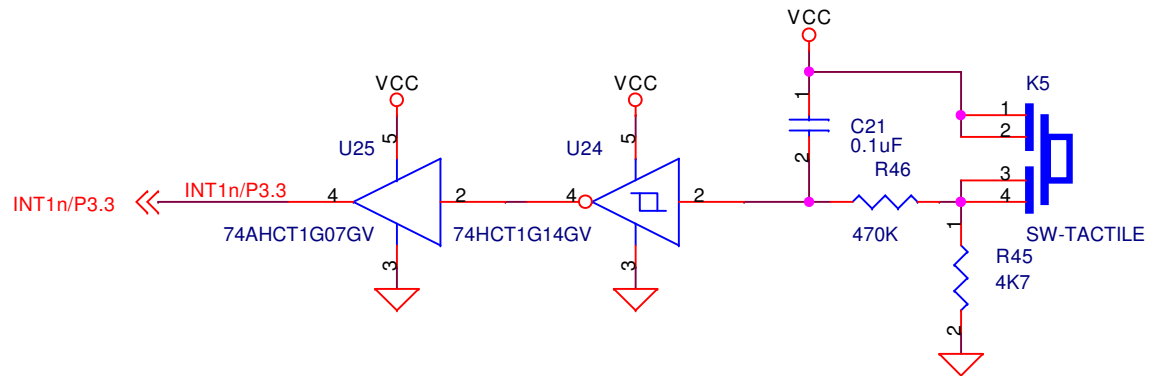
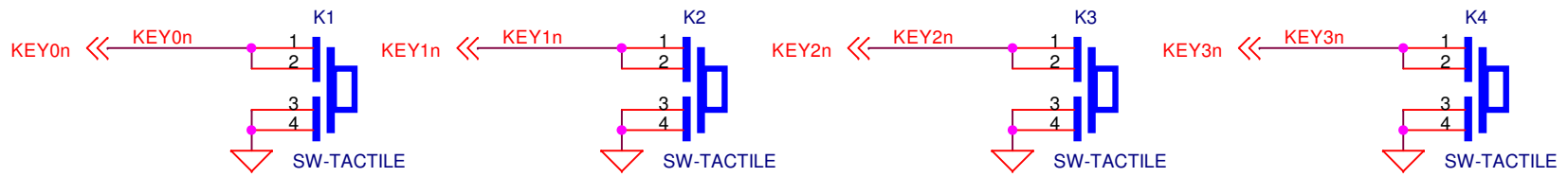


Size A	Document Number ZK-V664-P1-R1C USB	Rev C
Date: Friday, May 27, 2011		Sheet 3 of 9

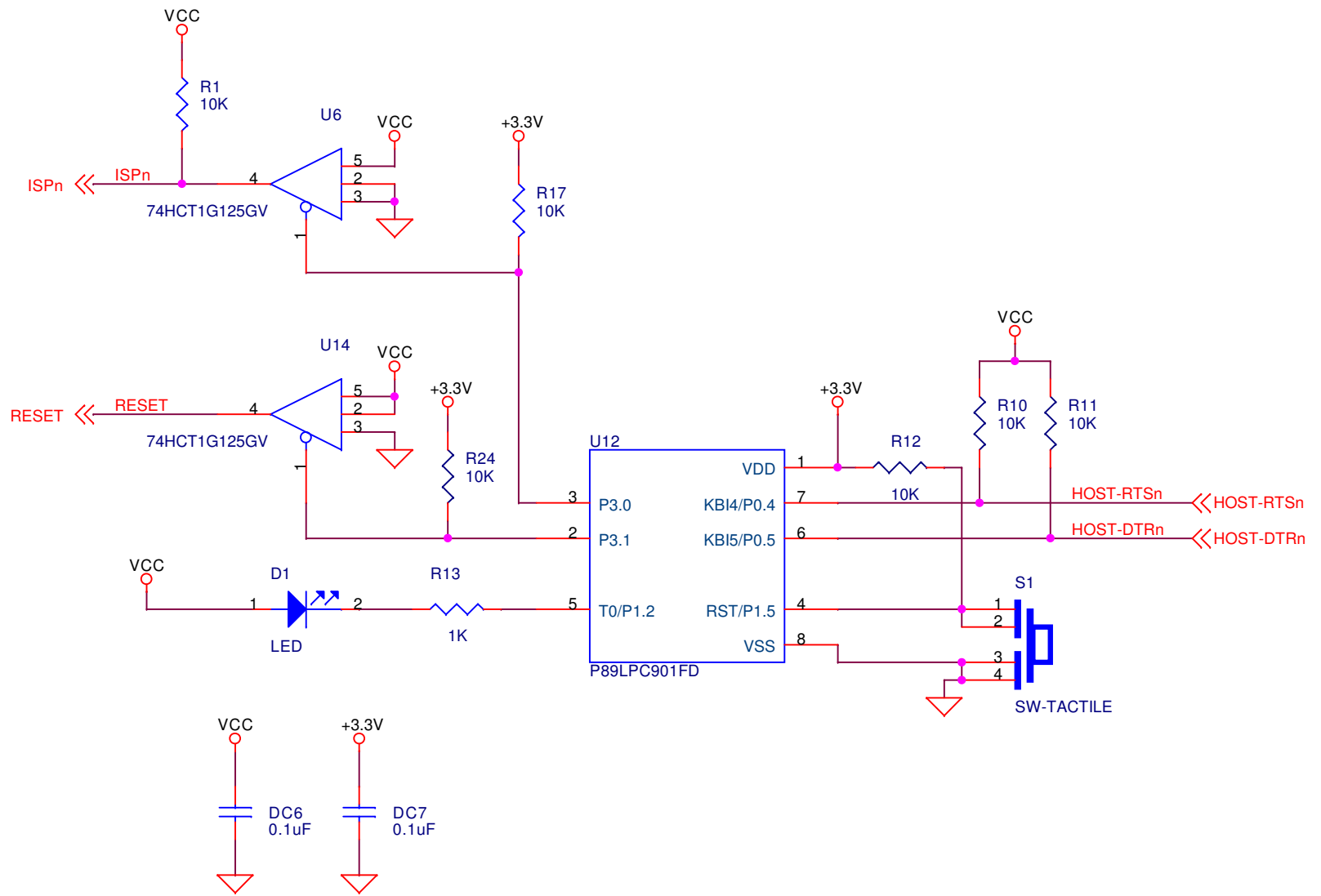


Size A	Document Number ZK-V664-P1-R1C LCD	Rev C
Date: Friday, May 27, 2011	Sheet 4 of 9	

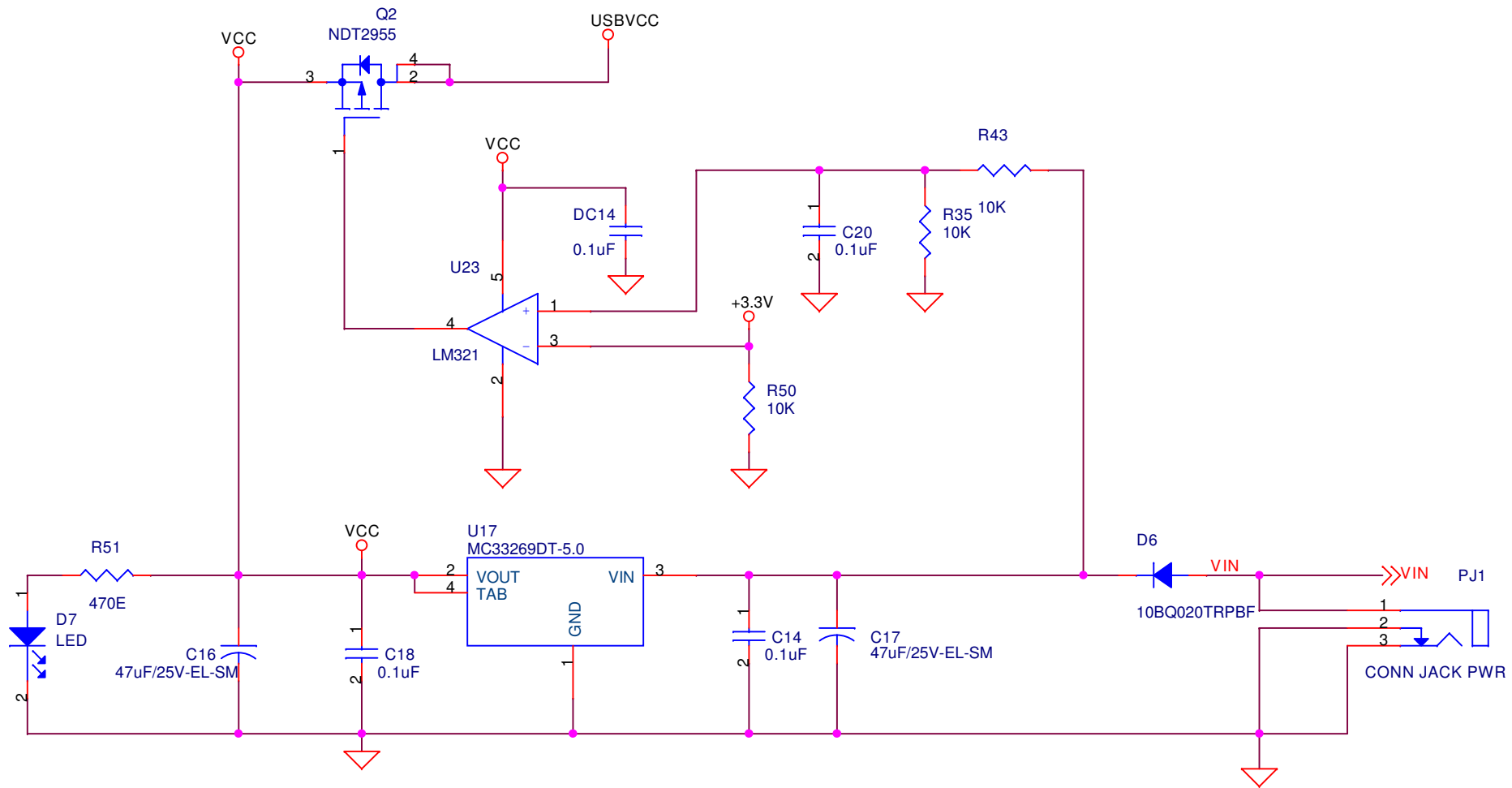




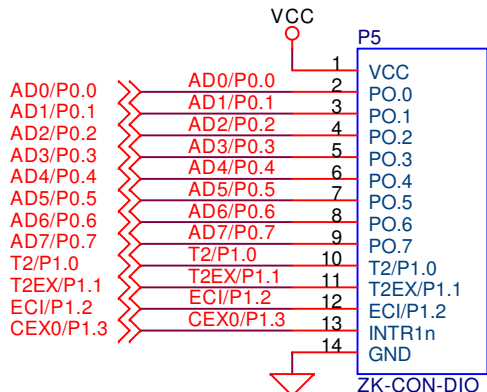
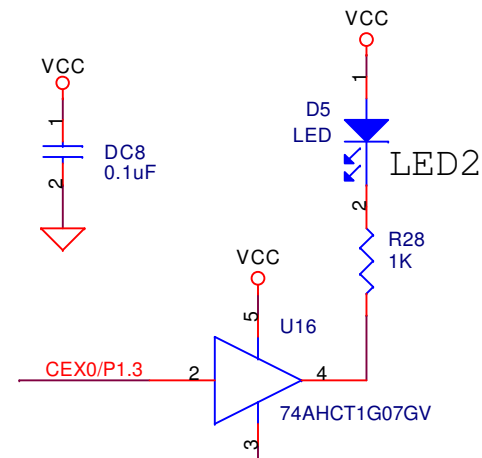
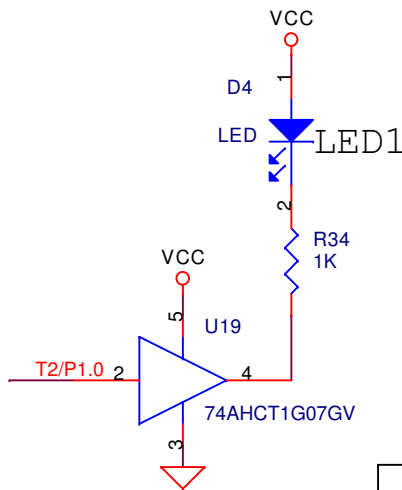
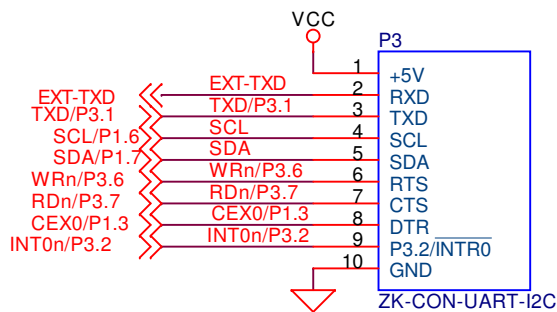
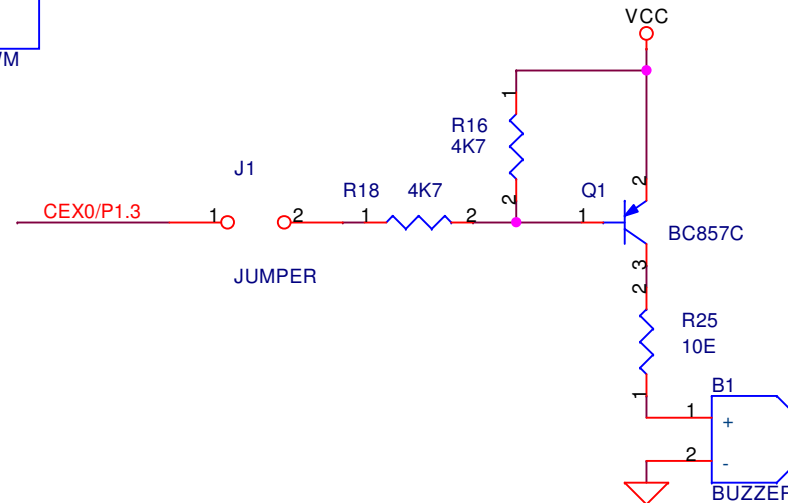
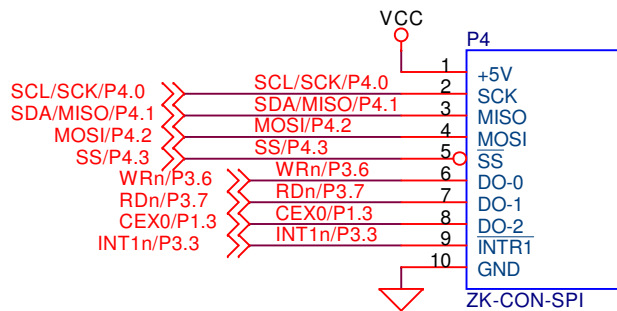
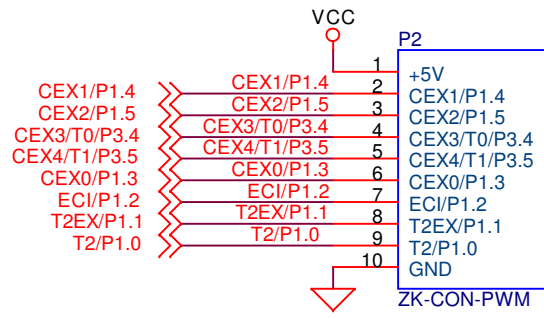
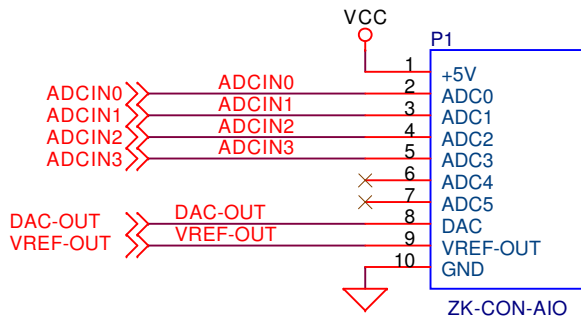
Size A	Document Number ZK-V664-P1-R1C KEYS	Rev C
Date: Friday, May 27, 2011	Sheet 6 of 9	



Size A	Document Number ZK-V664-P1-R1C ISP	Rev C
Date: Friday, May 27, 2011	Sheet 7 of 9	



Size A	Document Number ZK-V664-P1-R1C PSU	Rev C
Date: Wednesday, June 15, 2011	Sheet 8 of 9	



Size A	Document Number ZK-V664-P1-R1C CONNECTORS, LEDS, BUZZER	Rev C
Date: Saturday, June 11, 2011	Sheet 9 of 9	