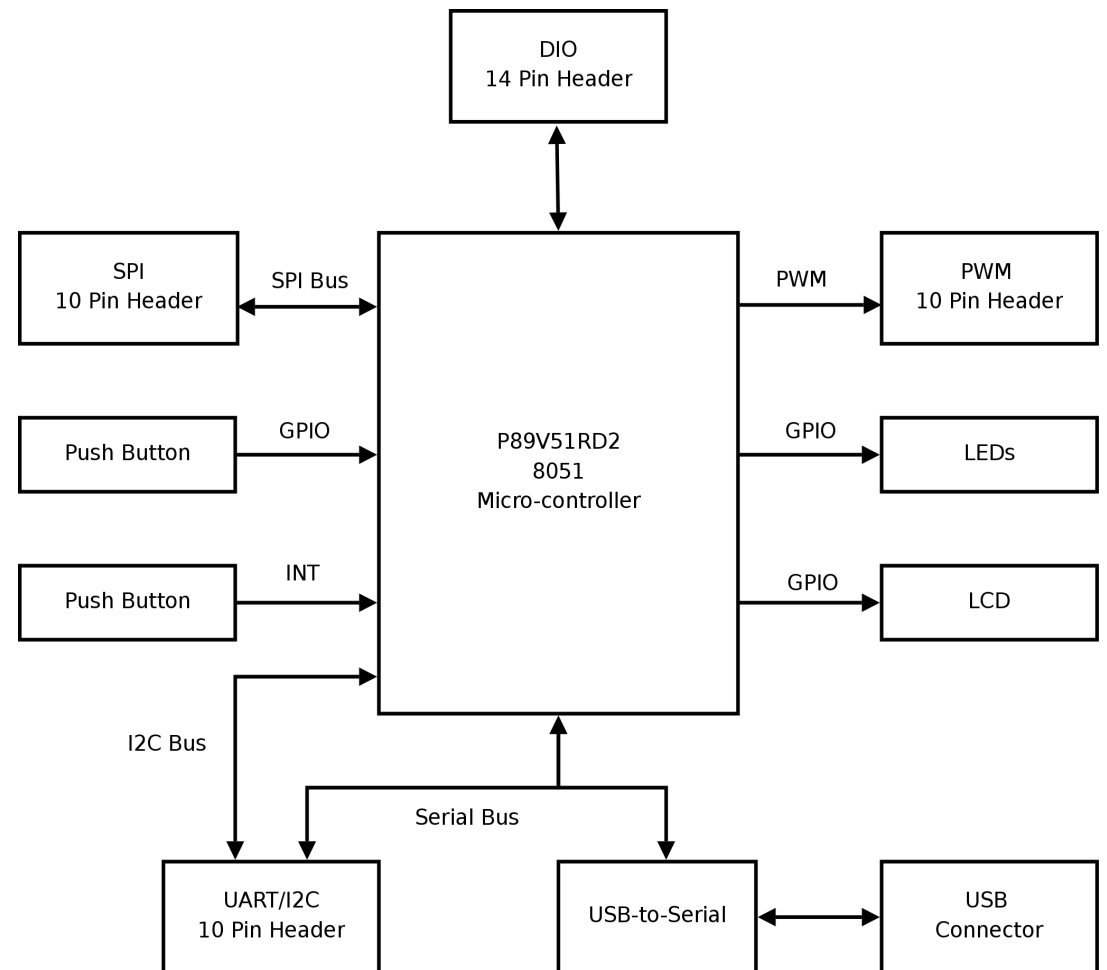
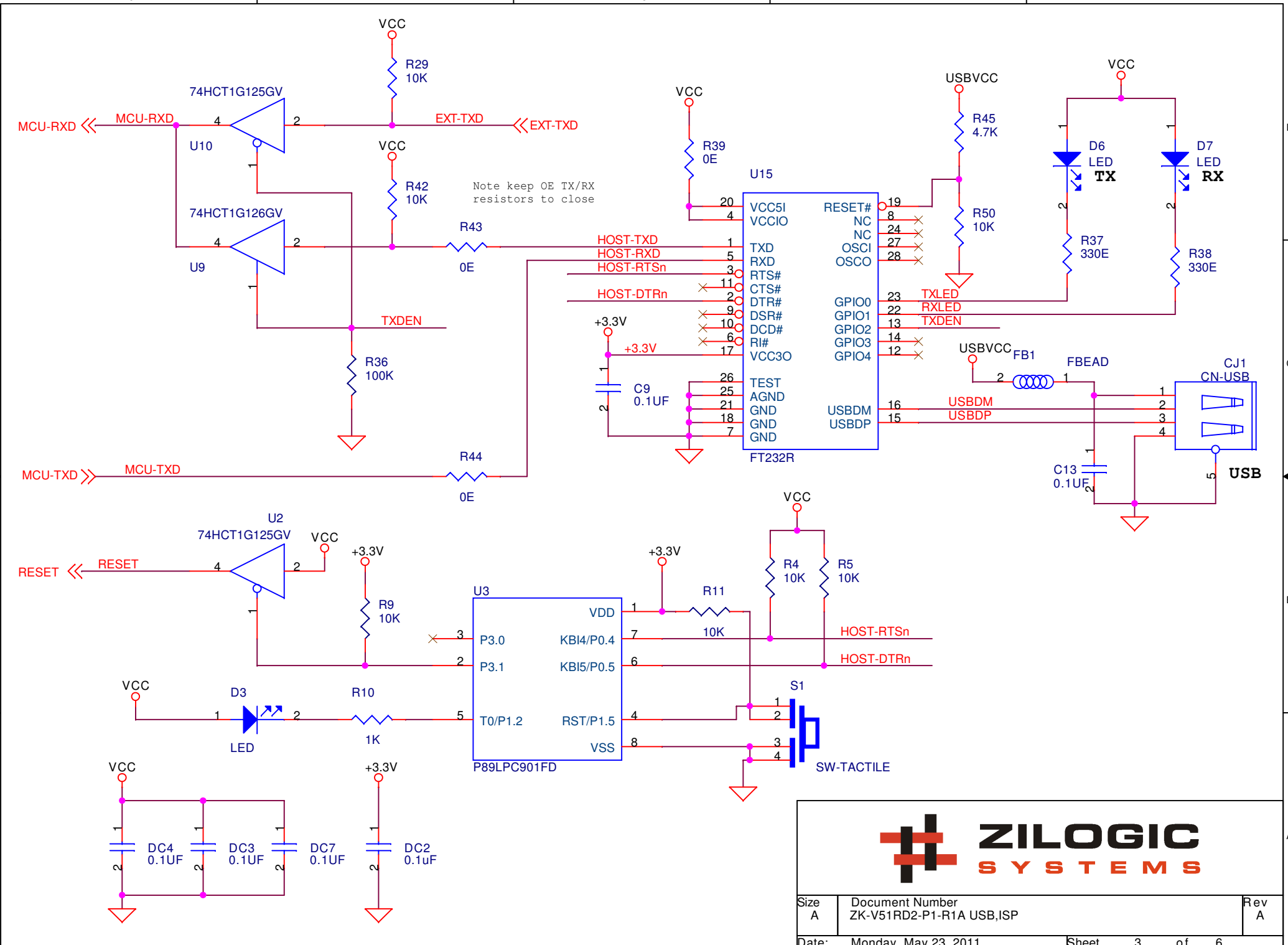


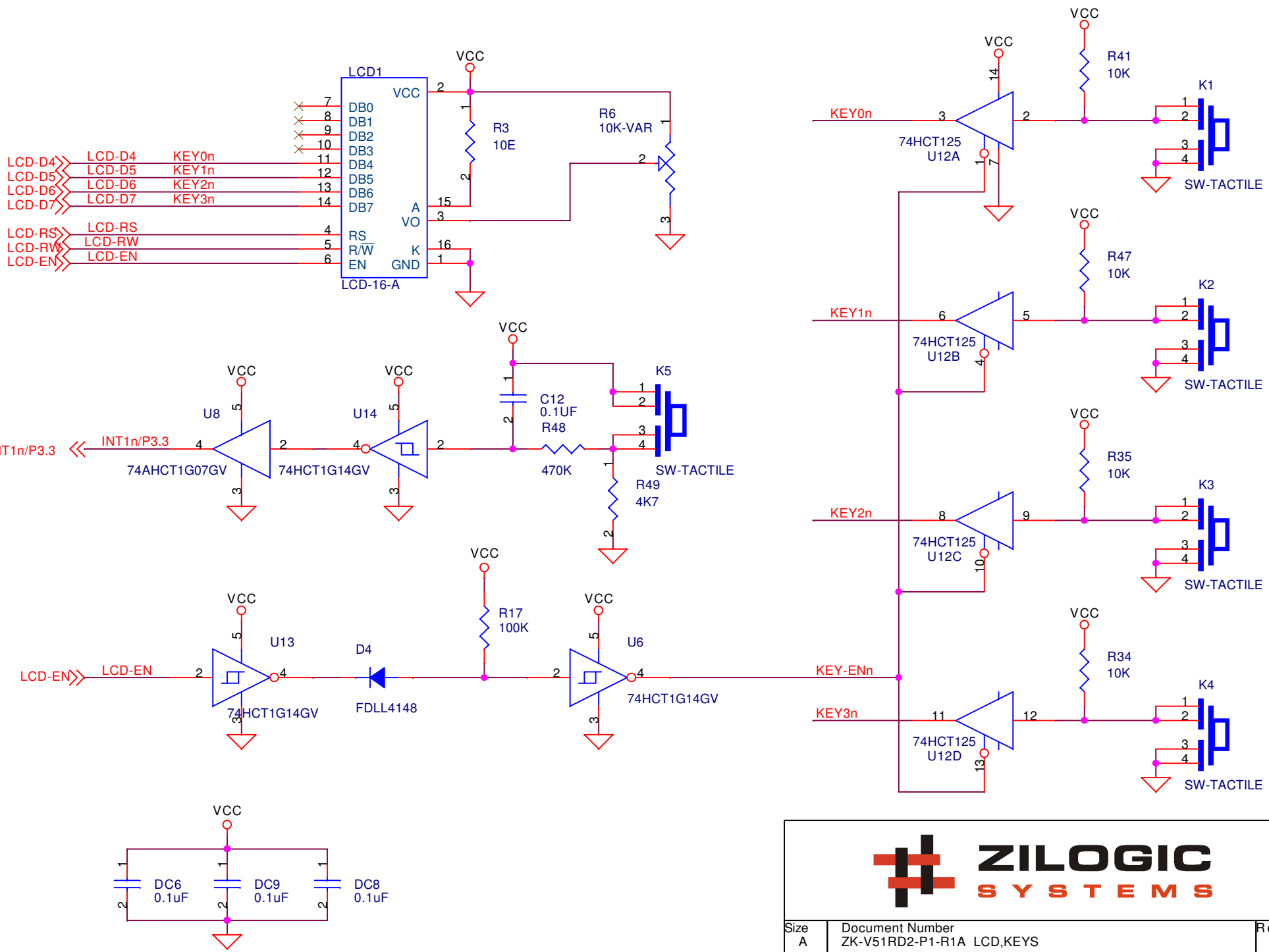
ZKIT-51-RD2 SCHEMATIC


PAGE NO	CONTENTS
1	BLOCK DIAGRAM
2	MCU
3	USB,ISP
4	LCD,KEYS
5	CONNECTORS , LEDS
6	PSU





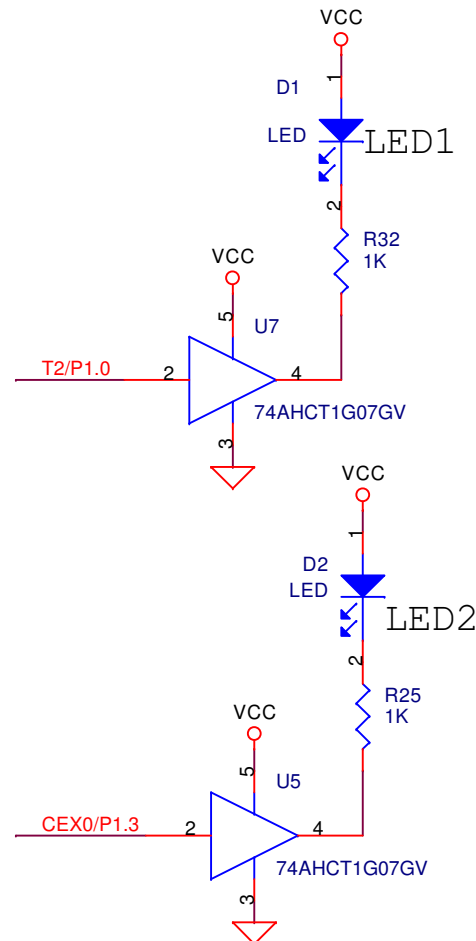
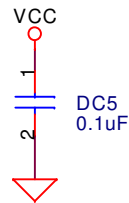
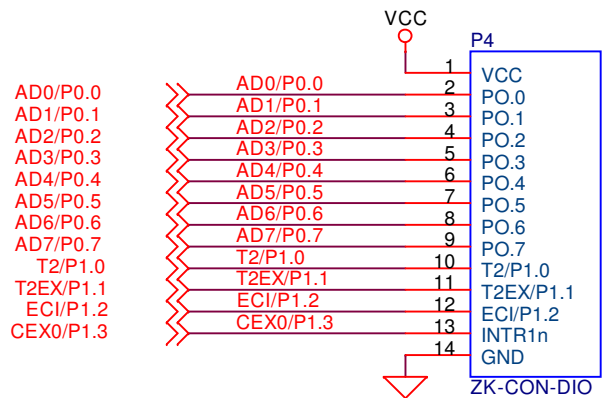
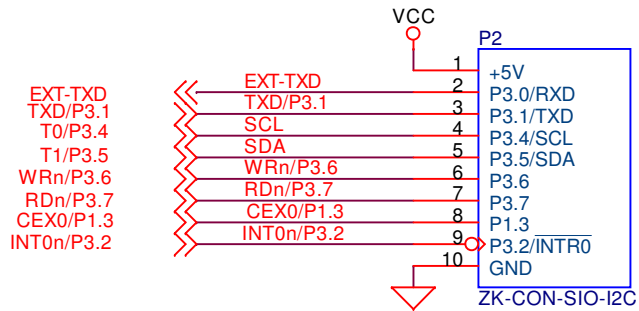
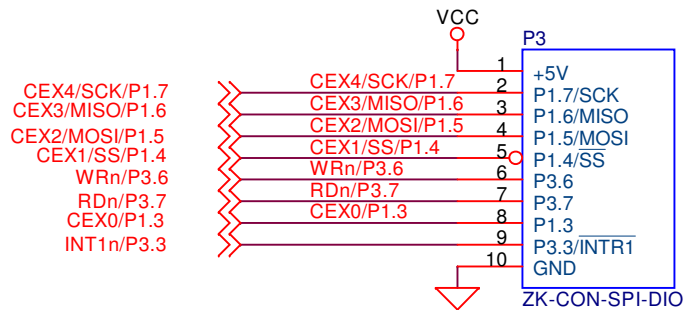
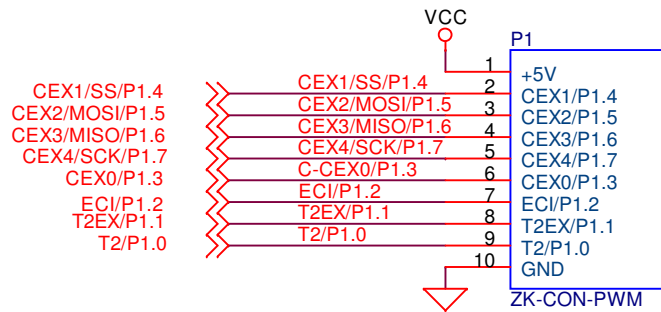
Size A	Document Number ZK-V51RD2-P1-R1A USB,ISP	Rev A
Date: Monday, May 23, 2011	Sheet 3 of 6	



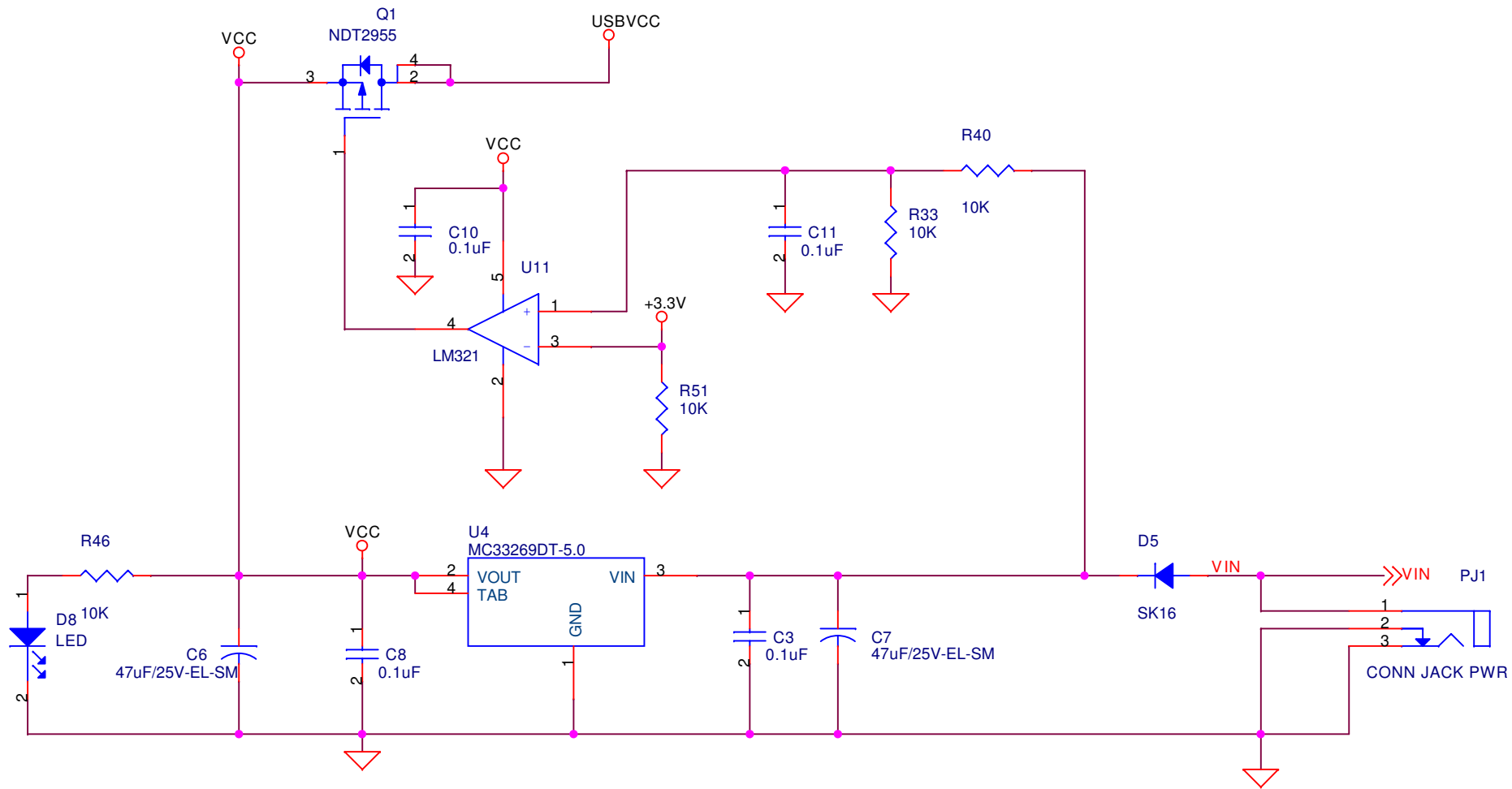


**ZILOGIC
SYSTEMS**

Size A	Document Number ZK-V51RD2-P1-R1A LCD,KEYS	Rev A
Date: Monday, May 23, 2011		Sheet 4 of 6



Size A	Document Number ZK-V51RD2-P1-R1A CONNECTORS,LEDS	Rev A
Date: Monday, May 23, 2011	Sheet 5 of 6	



Size A	Document Number ZK-V51RD2-P1-R1A PSU	Rev A
-----------	---	----------

Date: Monday, May 23, 2011 Sheet 6 of 6