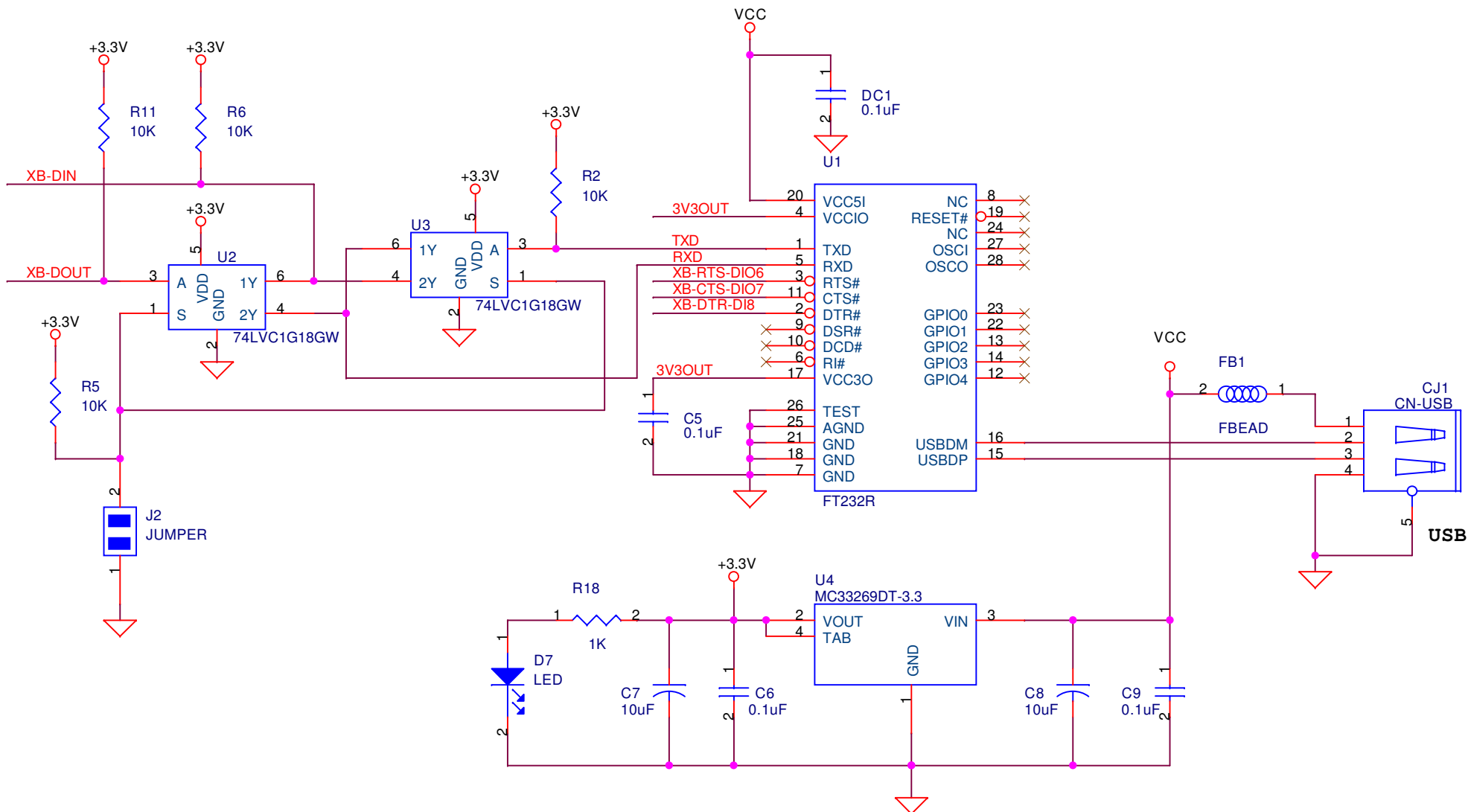


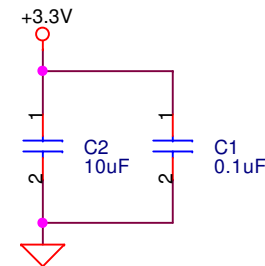
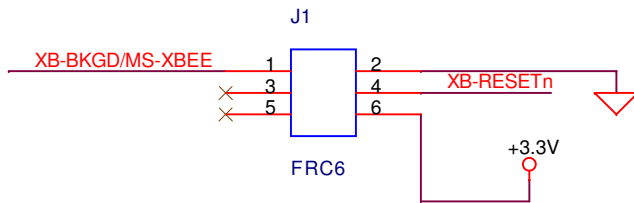
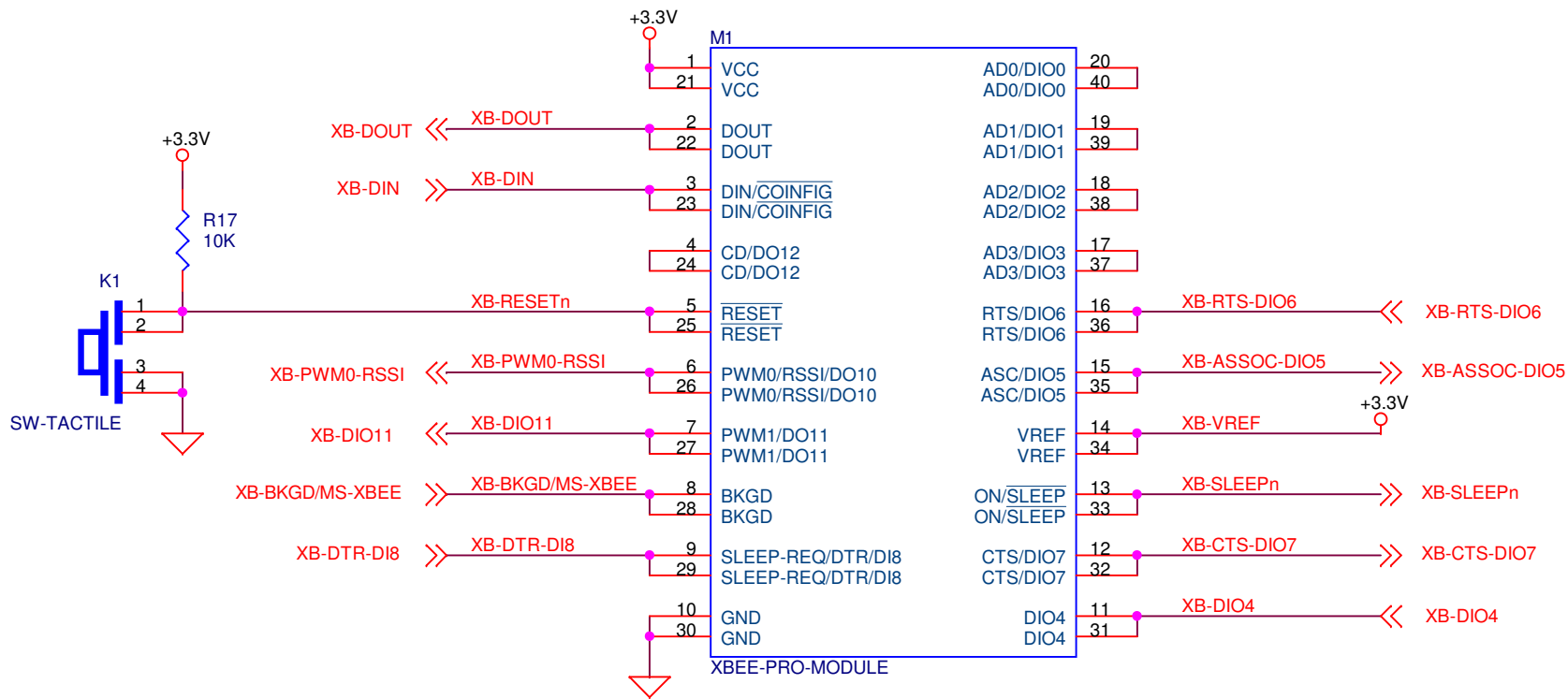
Size A	Document Number ZA-ZBEE-USB-P1-R1A STATUS LEDS	Rev A
Date: Saturday, June 25, 2011	Sheet 1 of 3	



- XB-RTS-DIO6 << XB-RTS-DIO6
- XB-CTS-DIO7 >> XB-CTS-DIO7
- XB-DTR-DI8 << XB-DTR-DI8
- XB-DOUT >> XB-DOUT
- XB-DIN << XB-DIN



Size A	Document Number ZA-ZBEE-USB-P1-R1A USB-UART BRIDGE	Rev A
Date: Saturday, June 25, 2011		Sheet 2 of 3



Size A	Document Number ZA-ZBEE-USB-P1-R1A ZBEE MODULE	Rev A
Date: Saturday, June 25, 2011		Sheet 3 of 3