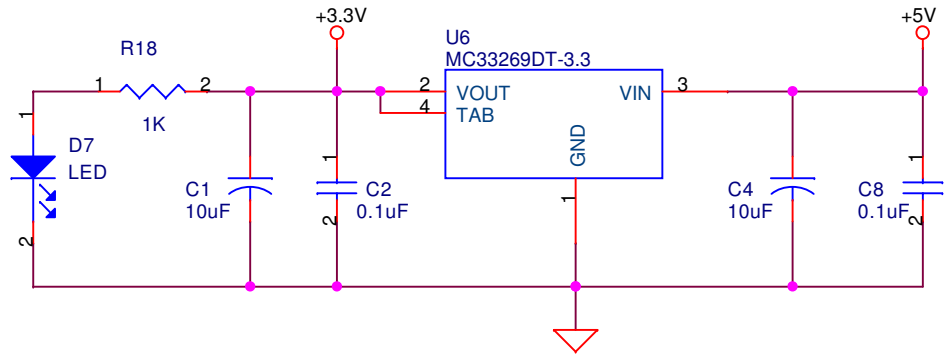
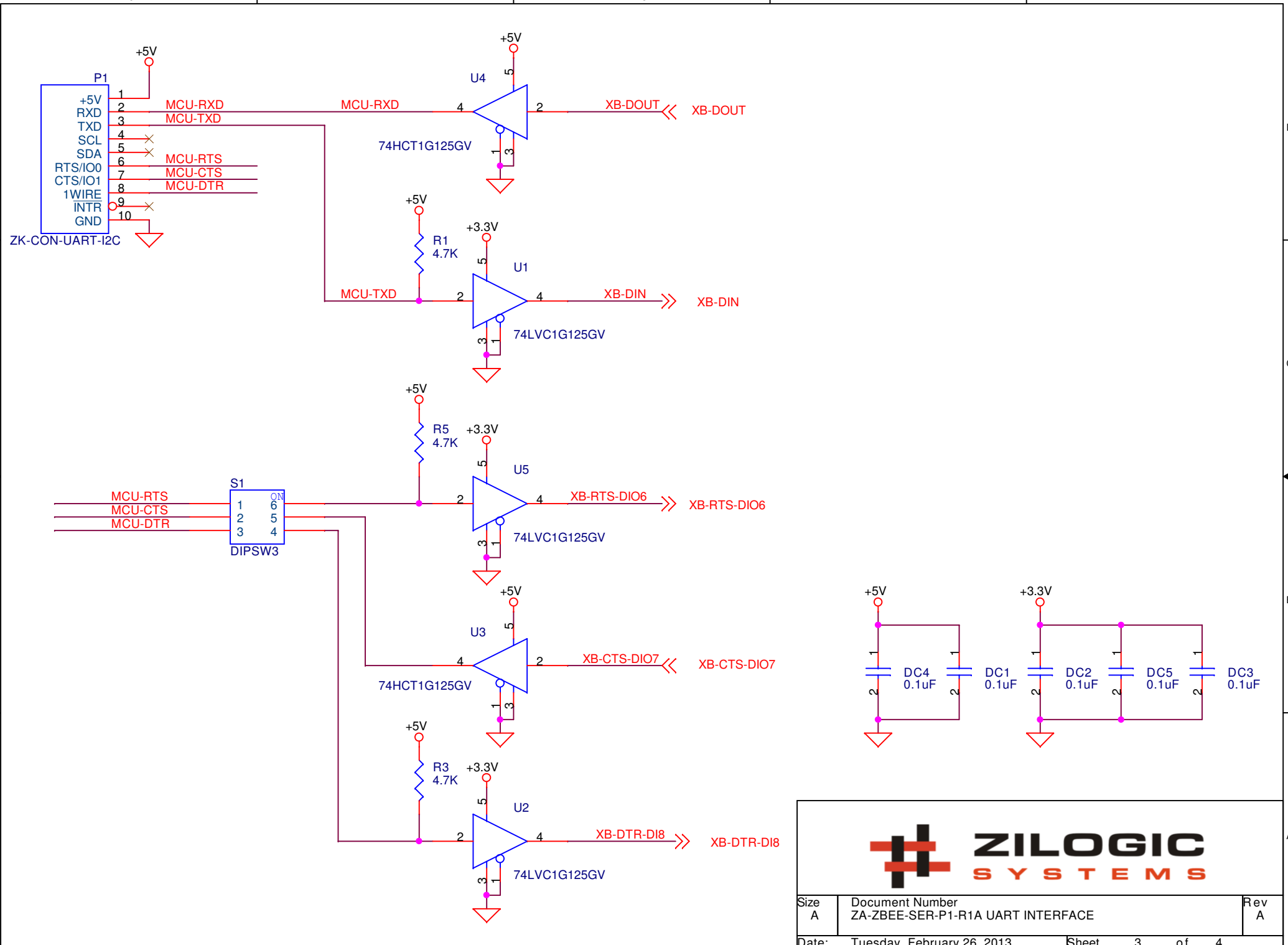


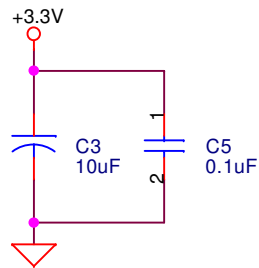
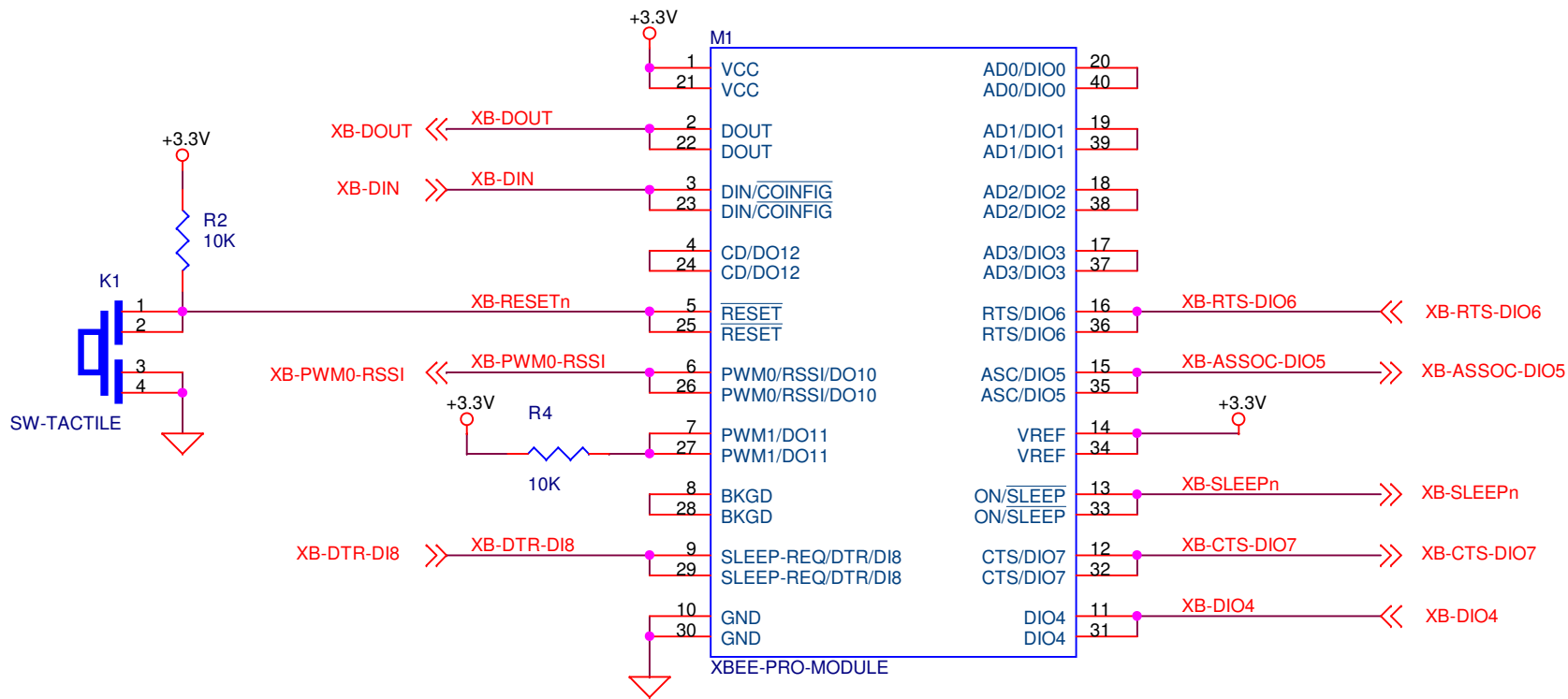
Size A	Document Number ZA-ZBEE-SER-P1-R1A LEDs	Rev A
Date: Tuesday, February 26, 2013		Sheet 1 of 4



Size A	Document Number ZA-ZBEE-SER-P1-R1A PSU	Rev A
Date: Tuesday, February 26, 2013		Sheet 2 of 4



Size A	Document Number ZA-ZBEE-SER-P1-R1A UART INTERFACE	Rev A
Date: Tuesday, February 26, 2013	Sheet 3 of 4	



Size A	Document Number ZA-ZBEE-SER-P1-R1A XBEE MODULE	Rev A
Date: Tuesday, February 26, 2013		Sheet 4 of 4