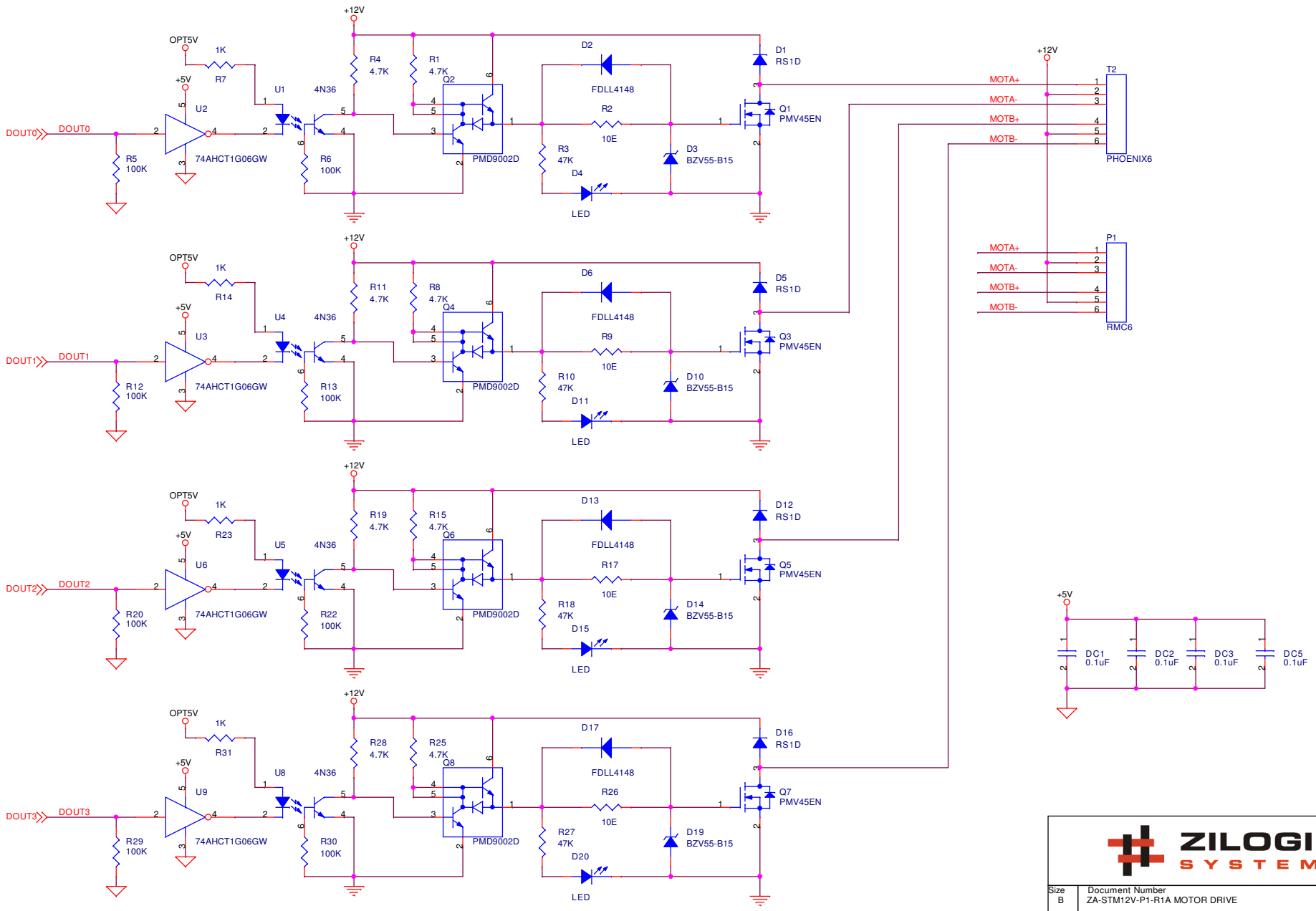



Size A	Document Number ZA-STM12V-P1-R1A PSU, POWER ON DELAY CIRCUIT	Rev A
Date:	Saturday, June 25, 2011	Sheet 1 of 2





# ZILOGIC SYSTEMS

Size B	Document Number ZA-STM12V-P1-R1A MOTOR DRIVE	Rev A
Date: Saturday, June 25, 2011		Sheet 2 of 2