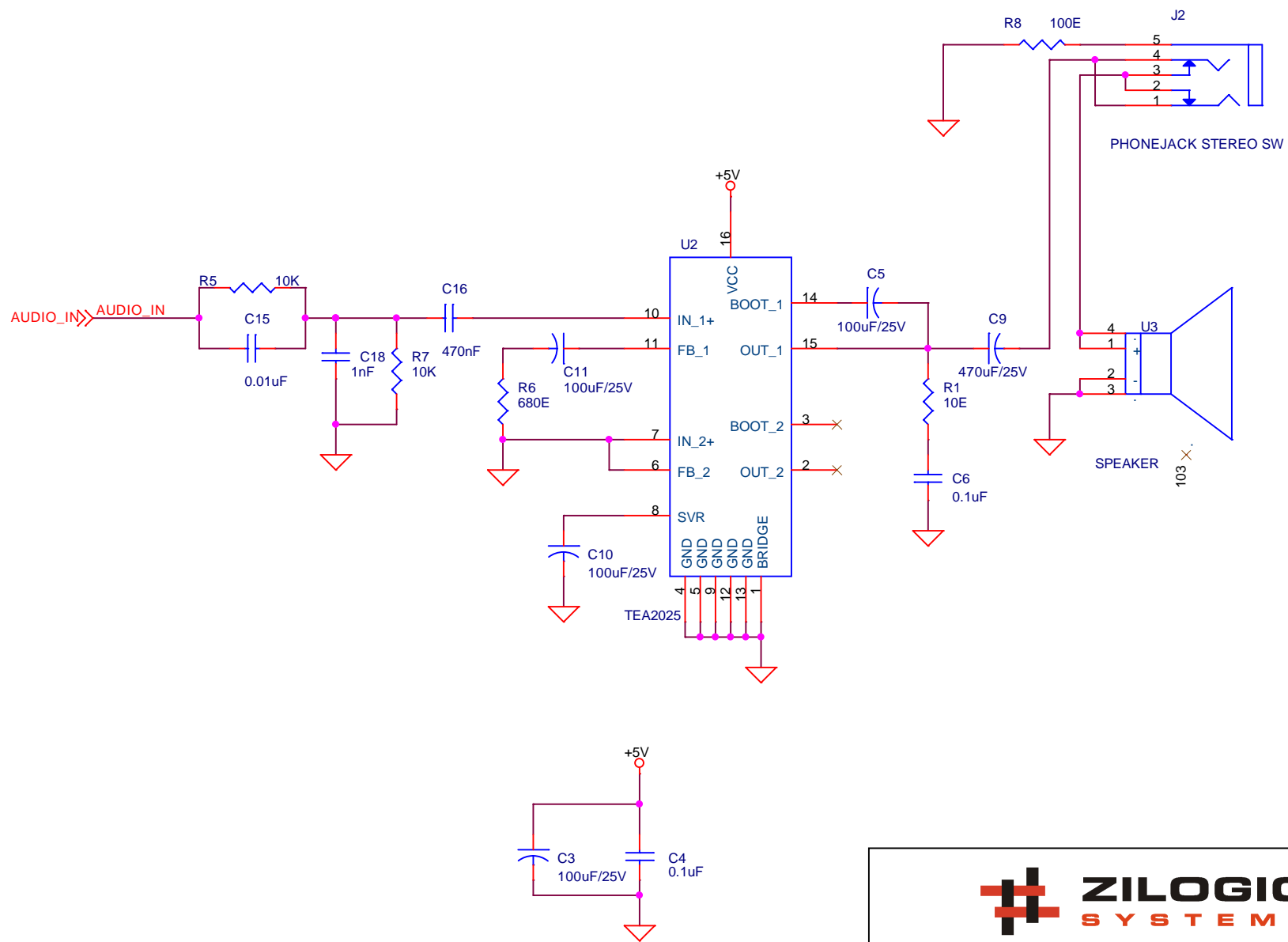


Size A	Document Number ZA-AUDIO-P1 DATA-FLASH & DAC	Rev R1A
Date:	Sheet 1 of 3	



Size A	Document Number ZA-AUDIO-P1 AMPLIFIER	Rev R1A
-----------	--	------------

Date: _____ Sheet 2 of 3

5

4

3

2

1

D

D

C

C

B

B

A

A

MH2



TAG HOLE1

MH4



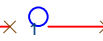
M HOLE1

MH5



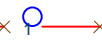
M HOLE1

MH3



M HOLE1

MH1



M HOLE1



ZILOGIC
SYSTEMS

Size A	Document Number ZA-AUDIO-P1 MOUNTING HOLES	Rev R1A
Date:	Sheet 3 of 3	

5

4

3

2

1