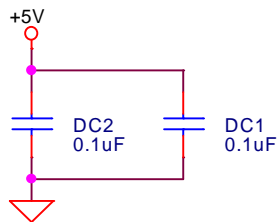
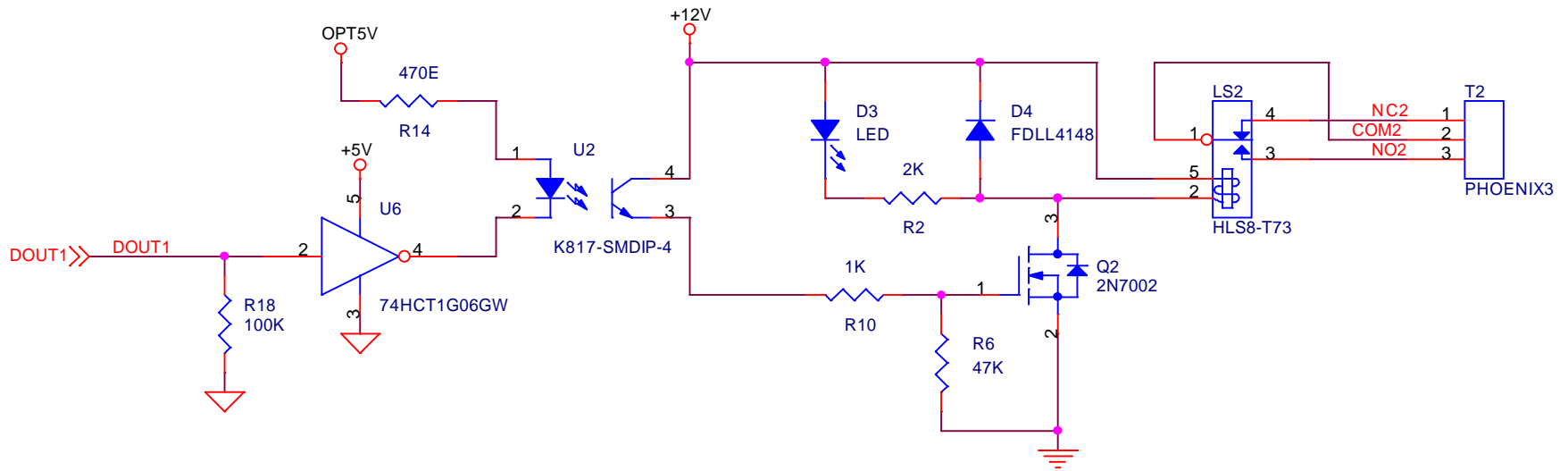
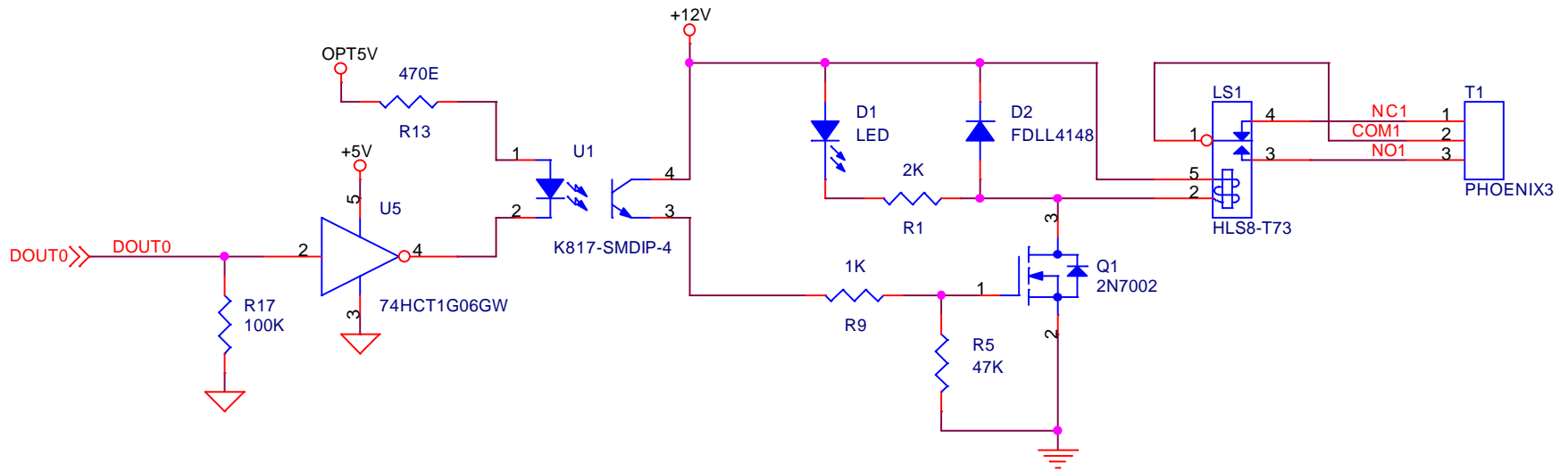
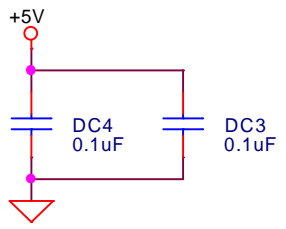
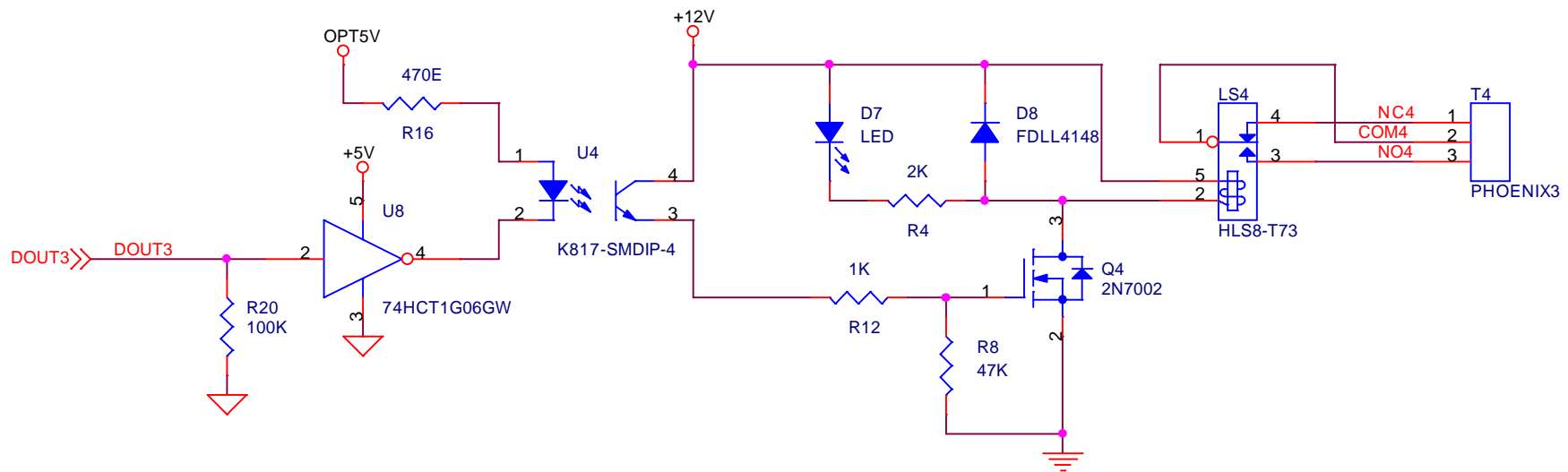
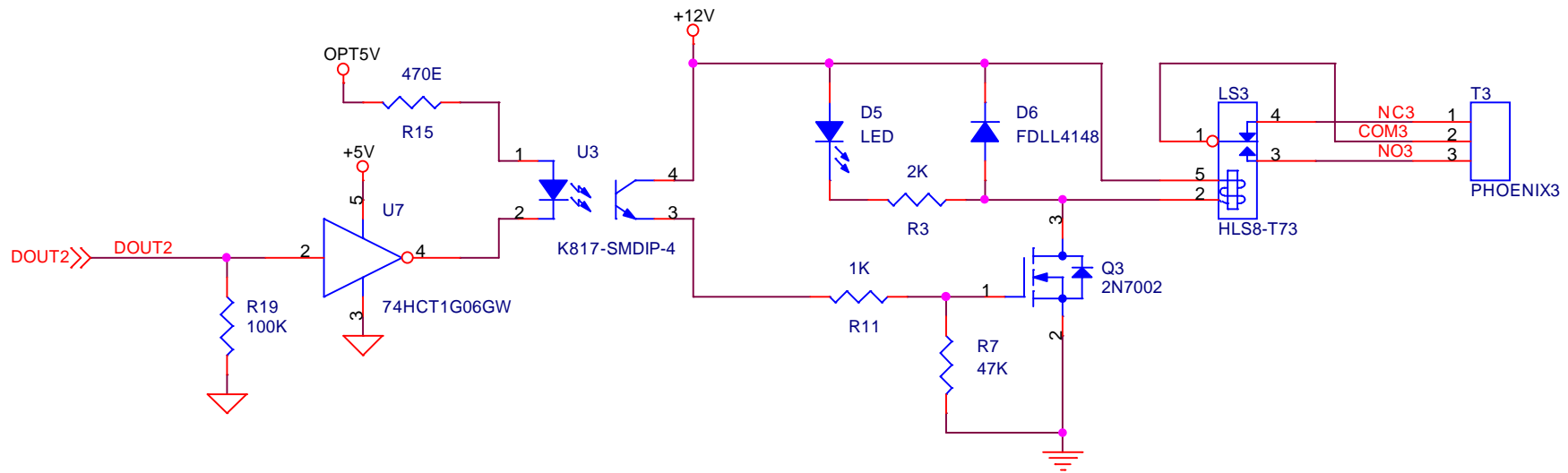


Size A	Document Number ZA-RLY4x12V-P1-R1B PWR ON DELAY CIRCUIT	Rev B
Date: Wednesday, February 01, 2017	Sheet 1 of 3	



Size A	Document Number ZA-RLY4x12V-P1-R1B RELAY DRIVE	Rev B
Date:	Wednesday, February 01, 2017	Sheet 2 of 3





**ZIOLIGIC**  
SYSTEMS

Size A	Document Number ZA-RLY4x12V-P1-R1B RELAY DRIVE	Rev B
Date: Wednesday, February 01, 2017		Sheet 3 of 3