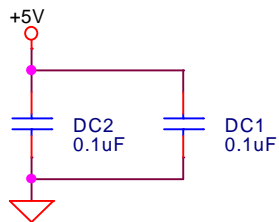
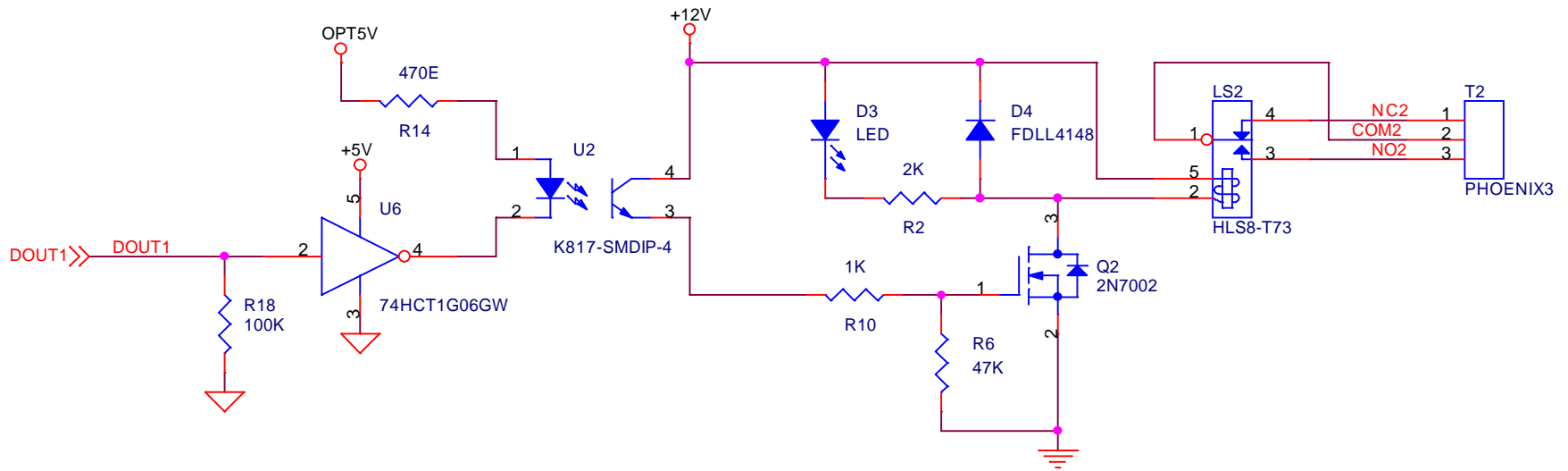
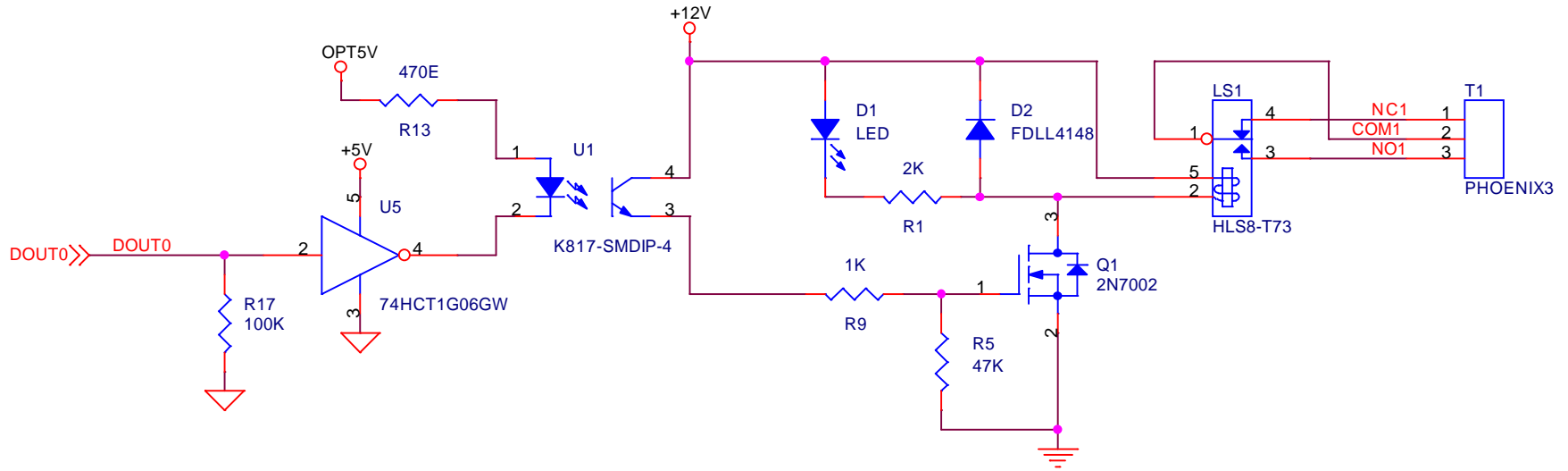
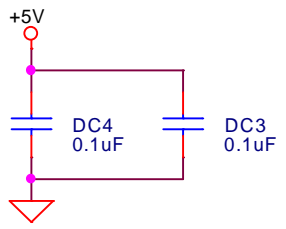
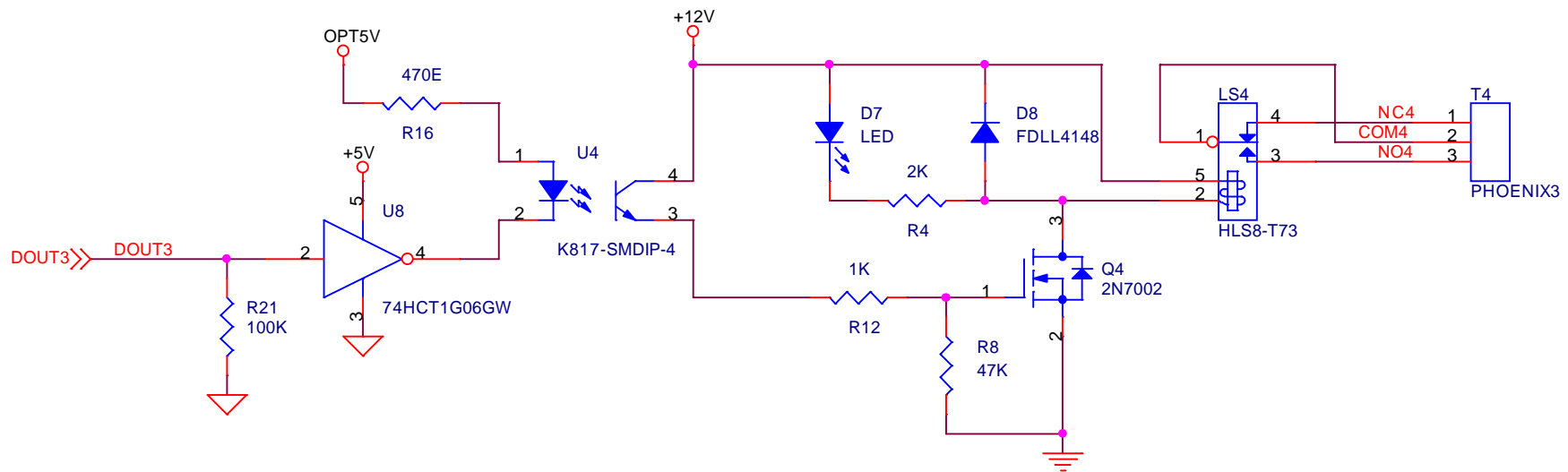
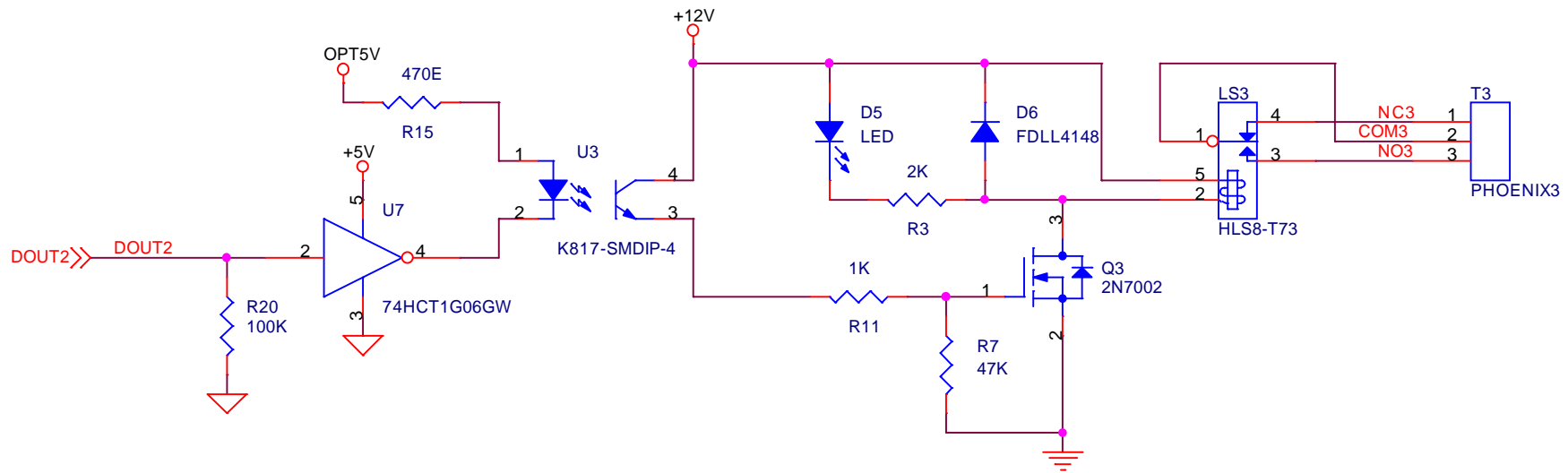


Size A	Document Number ZA-RLY4x12V-P1-R1A PWR ON DELAY CIRCUIT	Rev B
Date:	Wednesday, February 01, 2017	Sheet 1 of 3



Size A	Document Number ZA-RLY4x12V-P1-R1A RELAY DRIVE	Rev B
Date: Wednesday, February 01, 2017		Sheet 2 of 3



Size A	Document Number ZA-RLY4x12V-P1-R1A RELAY DRIVE	Rev B
-----------	---	----------

Date: Wednesday, February 01, 2017 Sheet 3 of 3